

PS-POH-1-1-01

PiperSport

*PiperSport*

## Pilot's Operating Handbook



**Airplane Registration Number: N195PS**

**Airplane Serial Number: 1001054**

***PiperSport Distribution Inc.***

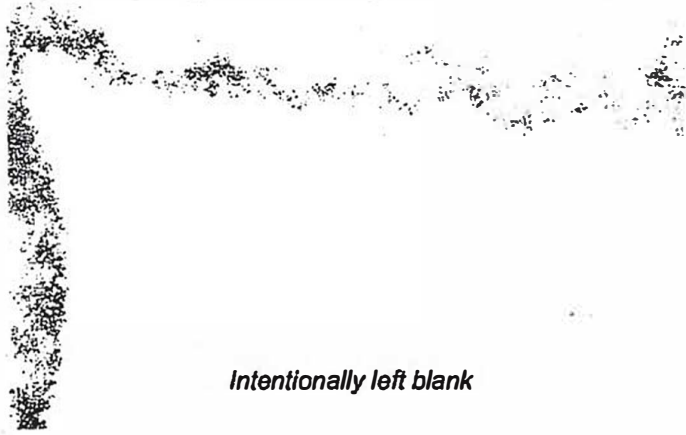
Date of issue: 10/03/31

i

Revision: -

PS-POH-1-1-01

*PiperSport*



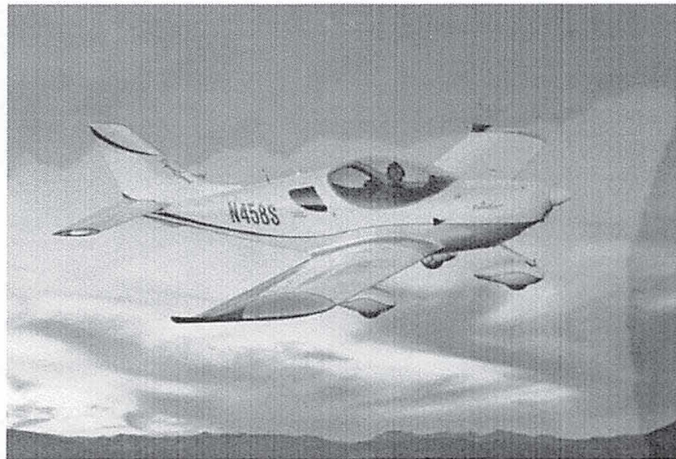
*Intentionally left blank*

PS-POH-1-1-01

*PiperSport*

*PiperSport*

## Pilot's Operating Handbook



*PiperSport aircraft is designed and manufactured by*



CZECH  
SPORT AIRCRAFT

Czech sport aircraft a.s.  
Na Záhonech 1177/212, 686 04 Kunovice  
Czech Republic

[www.czechsportaircraft.com](http://www.czechsportaircraft.com); [office@czechsportaircraft.com](mailto:office@czechsportaircraft.com)  
Fax: +420 576 519 394, Phone: +420 576 514 034 (Sales Dept.)

Date of issue: 10/03/31

iii

Revision: -

PS-POH-1-1-01

PiperSport

Rev. 1

*Intentionally left blank*

Date of issue: 10/03/31

iv

Revision: -

RECORD OF REVISIONS

PS-POH-1-1-01



RECORD OF REVISIONS

No.	Affected pages	Revision name	Date of issue	Signature
1	v, vii, 3-1, 3-9, 3-10, 4-6	Canopy unlatched	10/09/20	
2	v, vii, viii, 1-4, 1-5, 1-6, 2-3, 2-5, 4-5, 4-6, 4-7, 4-9, 5-1, 5-2, 5-3, 5-4, 5-5, 5-6, 5-7, 5-8, 5-9, 5-10, 5-11, 5-12, 8-4	Performance	10/11/22	

PS-POH-1-1-01

*The PiperSport*



*Intentionally left blank*

Date of issue: 10/03/31

vi

Revision: -



**LIST OF EFFECTIVE PAGES**

Section	Page	Revision No.	Section	Page	Revision No.
1	1-1	-	3	3-1	-
	1-2	-		3-2	-
	1-3	-		3-3	-
	1-4	-		3-4	-
	1-5	-		3-5	-
	1-6	-		3-6	-
2				3-7	-
	2-1	-		3-8	-
	2-2	-		3-9	-
	2-3	-		3-10	-
	2-4	-	4		
	2-5	-		4-1	-
	2-6	-		4-2	-
	2-7	-		4-3	-
	2-8	-		4-4	-
	2-9	-		4-5	-
	2-10	-		4-6	-
	2-11	-		4-7	-
2-12	-	4-8		-	
				4-9	-
			4-10	-	



**LIST OF EFFECTIVE PAGES (Cont'd)**

Section	Page	Revision No.	Section	Page	Revision No.
5	5-1	-	7	7-1	-
	5-2	-		7-2	-
	5-3	-		7-3	-
	5-4	-		7-4	-
	5-5	-		7-5	-
	5-6	-		7-6	-
	5-7	-		7-7	-
	5-8	-		7-8	-
6	6-1	-	8	8-1	-
	6-2	-		8-2	-
	6-3	-		8-3	-
	6-4	-		8-4	-
	6-5	-		8-5	-
	6-6	-		8-6	-
	6-7	-			
	6-8	-	9	9-1	-
				9-2	-



## LIST OF ABBREVIATIONS

ADI	Attitude direction indicator	
ALT	Altitude or Altimeter	
ATC	Air Traffic Control	
ASI	Airspeed Indicator	
bar	Pressure unit	(1 bar = 14.5037 psi)
BEACON	Anti-collision beacon	
°C	Temperature in degree of Celsius	(1°C = (°F - 32) / 1.8)
CAS	Calibrated Airspeed	
CDI	Course deviation indicator	
CHT	Cylinder head temperature	
COMM	Communication transceiver	
EFIS	Electronic Flight Instrument System	
ELT	Emergency Locator Transmitter	
EMS	Engine Monitoring System	
°F	Temperature in degree of Fahrenheit	(1°F = (°C x 1.8) + 32)
ft	Foot or feet	(1 ft = 12 in = 0.305 m = 305 mm)
fpm	Vertical speed in feet per minute	(1 fpm = 0.0051 m/s)
GPS	Global Positioning System	
hp	Power unit	(1 hp = 0.7457 kW)
IAS	Indicated Airspeed	
IC	Intercom	
IFR	Instrument Flight Rules	
in	Inch	(1 in = 25.4 mm)
ISA	International Standard Atmosphere	
KCAS	Calibrated Airspeed in Knots	
kg	Kilogram	(1 kg = 2.205 lb)
KIAS	Indicated Airspeed in Knots	
km	kilometer	(1 km = 1000 m = 0.54 NM = 0.621 SM)
km/h	Speed in kilometers per hour	(1 km/h = 0.54 knots = 0.621 mph = 0.278 m/s)
knot	Speed in NM per hour	(1 knot = 1.151 mph = 1.852 km/h = 0.514 m/s)
kW	Power unit	(1 kW = 1.341 hp)
l	Liter	(1 l = 0.22 UK gal = 0.264 US gal)
lb	Pound	(1 lb = 0.454 kg)
lbf	Force unit	(1 lbf = 4.448 N)
m	Meter	(1 m = 1000 mm = 3.28 ft = 39.37 in)
mm	Millimeter	(1 mm = 0.03937 in)
MAC	Mean Aerodynamic Chord	
max.	Maximum	
min.	Minimum or minute	
mph	Speed in statute miles per hour	(1 mph = 0.87 knots = 1.61 km/h)
m/s	Speed in meters per second	(1 m/s = 196.8 fpm = 1.944 knots = 3.6 km/h)

N	Newton - force unit	(1 N = 0.225 lbf)
NM	Nautical mile	(1 NM = 1,852 m)
OFF	System is switched off or control element is in off-position	
ON	System is switched on or control element is in on-position	
OAT	Outside Air Temperature	
POH	Pilot Operating Handbook	
psi	Pressure unit - pound per square inch	(1psi = 0.0689bar)
rpm	Revolutions per minute	
s or sec	Second	
SM	Statute Mile	(1SM = 1,609 m)
US gal	US gallon	(1 US gal = 0.83 UK gal = 3.785 l)
V	Volt	
VFR	Visual Flight Rules	
VMC	Visual Meteorological Conditions	
VSI	Vertical Speed Indicator	
VTU	Vertical tail unit	
V <sub>A</sub>	Maneuvering airspeed	
V <sub>FE</sub>	Maximum flap extended speed	
V <sub>NE</sub>	Never exceed speed	
V <sub>NO</sub>	Maximum designed cruising speed	
V <sub>SO</sub>	Stall speed with wing flaps in extended position	
V <sub>S1</sub>	Stall speed with wing flaps in retracted position	
V <sub>X</sub>	Best angle of climb speed	
V <sub>Y</sub>	Best rate of climb speed	

## ASTM STANDARDS

The PiperSport aircraft is designed and built according to following ASTM LSA standards:

### **ASTM F 2245 – 09**

Standard Specification for Design and performance of a Light Sport Airplane

### **ASTM F 2279 – 10**

Standard Practice for Quality Assurance in Manufacture of Fixed Wing Light Sport Aircraft

### **ASTM F 2295 – 10**

Standard Practice for Continued Operational Safety Monitoring of a Light Sport Aircraft

### **ASTM F 2316 – 08**

Standard Specification for Airframe Emergency Parachutes for Light Sport Aircraft

### **ASTM F 2746 – 09**

Standard Specification for Pilot's Operating Handbook (POH) for Light Sport Airplane

*Intentionally left blank*

## CONTACT INFORMATION



CZECH  
SPORT AIRCRAFT

Czech sport aircraft a.s.  
Na Záhonech 1177/212, 686 04 Kunovice  
Czech Republic

[www.czechsportaircraft.com](http://www.czechsportaircraft.com); [office@czechsportaircraft.com](mailto:office@czechsportaircraft.com)  
Fax: +420 576 519 394, Phone: +420 576 514 034 (Sales Dept.)

## CONTACT INFORMATION FOR RECOVERY OF CERTIFICATION DOCUMENTATION:

**PiperSport Distribution Inc.**

*Intentionally left blank*

## TABLE OF CONTENTS

1. General Information
2. Limitations
3. Emergency Procedures
4. Normal Procedures
5. Performance
6. Weight and Balance
7. Description of Airplane and Systems
8. Handling and Servicing
9. Supplements

*Intentionally left blank*



# **SECTION 1**

## **TABLE OF CONTENTS**

### **1. GENERAL INFORMATION**

<b>1.1</b>	<b>Airplane specification</b>	<b>1-2</b>
<b>1.2</b>	<b>Summary of performances</b>	<b>1-5</b>

# 1. GENERAL INFORMATION

This Pilot Operating Handbook has been prepared to provide pilots with information for the safe and efficient operation of the PiperSport aircraft and contains 9 sections. It also contains supplementary information considered to be important by the aircraft manufacturer. The Aircraft Flight Training Supplement is a part of this handbook too.

Date of issue is written in the yy/mm/dd format.

**NOTE**

*All airspeeds shown in the POH are IAS, except of shown otherwise*

## Warnings, Cautions and Notes

The following definitions apply to warnings, cautions and notes in the Pilot's Operating Handbook.

**WARNING**

*Means that the non-observation of the corresponding procedure leads to an immediate or important degradation of the flight safety i.e. to injury or death of persons.*

**CAUTION**

*Means that the non-observation of the corresponding procedure leads to a minor or possible long term degradation of the flight safety.*

**NOTE**

*Draws attention to any special item not directly related to safety but which is important or unusual.*

## 1.1 Airplane specification

PiperSport is the airplane intended especially for recreational and cross-country flying, and non-aerobatics operation.

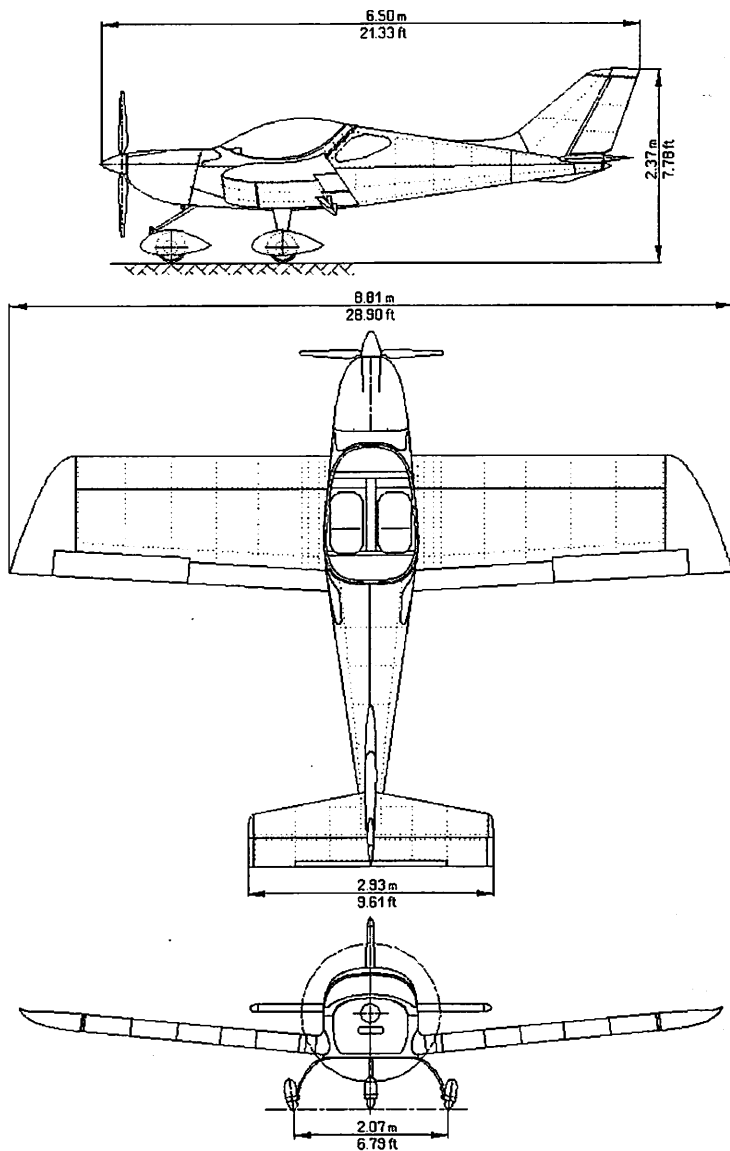
PiperSport is a single-engine, all metal, low-wing monoplane of semi-monocoque structure with two side-by-side seats. The airplane is equipped with a fixed tricycle undercarriage with castoring nose wheel.

SECTION 1  
GENERAL INFORMATION

PS-POH-1-1-01

*Piper Sport*

**Aircraft layout:**



**Main airplane dimensions:**

Wing span.....	28.90 [ft]	(8.81 [m])
Length.....	21.33 [ft]	(6.50 [m])
Height.....	7.78 [ft]	(2.37 [m])
Wing area.....	132.3 [sq ft]	(12.3 [m <sup>2</sup> ])
Wing loading.....	10 [lb/sq ft]	(49 [kg/m <sup>2</sup> ])
Cockpit width.....	46 [in]	(1.17 [m])

**Flight control surfaces travel:**

Rudder.....	30° to each side
Elevator.....	+ 28°/- 25°
Aileron.....	+ 20°/- 15°
Flaps.....	0° to 30°
Aileron trim.....	+ 20°/- 20°
Elevator trim.....	+ 22°/- 28°

**Engine:**

Manufacturer.....	BRP-Rotax GmbH&Co.KG
Model number.....	912ULS
Maximum horsepower rating.....	98.6 hp (73.5 kW) at 5800 RPM
Cooling.....	liquid and air
Type.....	4-stroke, 4 cylinder, horizontally opposed, spark ignition engine with one central camshaft-push-rod-OHV

**Propeller:**

Manufacturer.....	WOODCOMP s.r.o.
Model number.....	KLASSIC 170/3/R
Number of blades.....	3
Diameter.....	68 [in]      1720 [mm]
Type.....	three composite blades, ground adjustable

## 1.2 Summary of performances

### Weights:

Max. takeoff and landing weight.....	1,320 [lb]	(600 [kg])
Max. weight of fuel .....	180 [lb]	(82 [kg])
Max. baggage weight in rear fuselage .....	40 [lb]	(18 [kg])
Max. baggage weight in each wing locker.....	44 [lb]	(20 [kg])
Empty weight (minimum equipment).....	760 [lb]	(345 [kg])

**NOTE**

*Actual empty weight is shown in Section 9, Supplement No. 02*

Wing loading .....	10 [lb/sq ft]	(49 [kg/m <sup>2</sup> ])
Power loading .....	13.39 [lb/hp]	(8.15 [kg/kW])

### Speeds:

Maximum at sea level .....	125 [knot]	(143 [mph])
Cruise, 75% power at 3,000 ft.....	97 [knot]	(111 [mph])

### Range and endurance:

Range .....	520 NM
Endurance.....	5.3 hours

#### Conditions:

Usable fuel.....	29.85 [US gal]	(113 [liter])
75% power of engine .....	5,000 RPM	
Altitude.....	3,000 [ft]	
Reserve .....	45 minutes	

**Rate of climb:**

At sea level .....	1,200 [fpm]	
Best angle of climb speed ( $v_x$ ).....	60 [knot]	(70 [mph])
Best rate of climb speed ( $v_y$ ): .....	65 [knot]	(75 [mph])

**Stall speeds:**

$V_{S0}$ – flaps down, power - idle .....	32 [knot]	(37[mph])
$V_{S1}$ – flaps up, power - idle.....	39 [knot]	(45[mph])

**Fuel:**

Total fuel capacity .....	30.12 [US gal]	(114 [liter])
Total usable fuel.....	29.86 [US gal]	(113 [liter])
Approved types of fuel .....	MOGAS min. RON 95, EN 228 and EN 228 Super plus AVGAS 100 LL	

**Engine power:**

Maximum power at 5,800 RPM .....	98.6 [hp]	(73.5 [kW])
Max. continuous power at 5,500 RPM .....	92.5 [hp]	(69 [kW])

## SECTION 2

### TABLE OF CONTENTS

#### 2. LIMITATIONS

2.1	Airspeed indicator range markings	2-2
2.2	Stalling speeds at maximum takeoff weight	2-2
2.3	Flap extended speed range	2-3
2.4	Maneuvering speed	2-3
2.5	Maximum structural cruising speed	2-3
2.6	Never exceed speed	2-3
2.7	Service ceiling	2-3
2.8	Load factors	2-3
2.9	Approved maneuvers	2-3
2.10	Operating weights and loading	2-4
2.11	Fuel	2-5
2.12	Engine operating speeds and limits	2-6
2.13	Engine instruments markings	2-7
2.14	Other limitations	2-7
2.15	Limitation placards and markings	2-9
2.16	Miscellaneous placards and markings	2-10

## 2. LIMITATIONS

**CAUTION**  
*Airspeeds values are valid for standard AVIATIK WA037383 pitot-static probe.*

### 2.1 Airspeed indicator range markings

**NOTE**  
*The stated stall speeds are valid for all flight altitudes.*

Marking	IAS value or range		Significance
	knot	mph	
White arc	32-75	37-86	Flap Operating Range.
Green arc	39-108	45-124	Normal Operating Range.
Yellow arc	108-138	124-158	Maneuvers must be conducted with caution and only in smooth air.
Red line	138	158	Maximum speed for all operations.

### 2.2 Stalling speeds at maximum takeoff weight

Conditions: Weight: MTOW Engine: idle	Wing flaps pos.	IAS		CAS		Altitude loss at recovery ft
		knot	mph	knot	mph	
Wing level stall	0°	39	45	43	49	65
	15°	35	40	39	45	49
	30°	32	37	37	43	33
Coordinated turn 30° bank	0°	42	48	46	53	82
	15°	38	44	42	48	66
	30°	35	40	39	45	49



**2.3 Flap extended speed range -  $V_{S0}$  to  $V_{FE}$**

Flap operating range (IAS):

32 - 75 [knot] (37 - 86 [mph])

**2.4 Maneuvering speed -  $V_A$**

Maneuvering speed (IAS) at 1,320 [lb]:

88 [knot] (101 [mph])

Maneuvering speed (IAS) at 900 [lb]:

70 [knot] (80 [mph])

**2.5 Maximum structural cruising speed -  $V_{NO}$**

Maximum structural cruising speed (IAS):

108 [knot] (124 [mph])

**2.6 Never exceed speed -  $V_{NE}$**

Never exceed speed (IAS):

138 [knot] (158 [mph])

**2.7 Service ceiling**

Service ceiling ..... 10,000 [ft]

**2.8 Load factors**

Maximum positive limit load factor ..... + 4 g

Maximum negative limit load factor ..... - 2 g

**2.9 Approved maneuvers**

The PiperSport is approved for normal and below listed maneuvers:

- Steep turns not exceeding 60° bank
- Lazy eights
- Chandelles
- Stalls (except whip stalls)

## **2.10 Operating weights and loading**

Max. takeoff weight .....	1,320 [lb]	(600 [kg])
Max landing weight .....	1,320 [lb]	(600 [kg])
Max. weight of fuel .....	180 [lb]	(82 [kg])
Max. baggage weight in rear fuselage .....	40 [lb]	(18 [kg])
Max. baggage weight in each wing locker.....	44 [lb]	(20 [kg])
Empty weight (minimum equipment).....	760 [lb]	(345 [kg])

**NOTE**

*Actual empty weight is shown in Section 9, Supplement No. 02*

**WARNING**

**Do not exceed maximum takeoff weight 1,320 [lb] (600 [kg]) !**

Number of seats.....	2	
Minimum crew .....	1 pilot on the left seat	
Minimum crew weight.....	95 [lb]	(43 [kg])
Maximum crew weight on each seat .....	253 [lb]	(115 [kg])

## 2.11 Fuel

### Fuel volume:

Wing fuel tanks capacity .....	2x15.06 [US gal]	(2x57 [liter])
Total fuel capacity .....	30.12 [US gal]	(114 [liter])
Unusable fuel .....	2x0.13 [US gal]	(2x0.5 [liter])
Total usable fuel.....	29.86 [US gal]	(113 [liter])

### Recommended fuel type:

*(Refer to the ROTAX Operator's manual section 10.2.2 Fuel, Rotax Service Instruction SI-912-016)*

#### MOGAS

European standard

- min. RON 95, EN 228 Super, EN 228 Super plus

US standard

- ASTM D4814

Canadian standard

- min. AKI 91, CAN/CGSB-3.5 Quality 3

#### AVGAS

US standard

- AVGAS 100 LL (ASTM D910)

AVGAS 100 LL places greater stress on the valve seats due to its high lead content and forms increased deposits in the combustion chamber and lead sediments in the oil system. Thus it should only be used in case of problems with vapor lock or when other types of gasoline are unavailable.

**2.12 Engine operating speeds and limits**

<b>Engine Model:</b>		<b>ROTAX 912 ULS</b>
<b>Engine Manufacturer:</b>		<b>Bombardier-Rotax GMBH</b>
<b>Power</b>	<b>Max. Takeoff:</b>	<b>98.6 hp (73.5 kW) at 5,800 rpm (max. 5 min.)</b>
	<b>Max. Continuous:</b>	<b>92.5 hp (69 kW) at 5,500 rpm</b>
	<b>Cruising (75%):</b>	<b>68.4 hp (51 kW) at 5,000 rpm</b>
<b>Engine RPM</b>	<b>Max. Takeoff:</b>	<b>5,800 rpm (max. 5 min)</b>
	<b>Max. Continuous:</b>	<b>5,500 rpm</b>
	<b>Cruising (75%):</b>	<b>5,000 rpm</b>
	<b>Idling:</b>	<b>1,400 rpm (minimum)</b>
<b>Oil pressure</b>	<b>Minimum:</b>	<b>12 psi (0.8 bar) below 3,500 rpm</b>
	<b>Maximum:</b>	<b>102 psi (7 bar) cold engine starting</b>
	<b>Optimum:</b>	<b>29 - 73 psi (2 - 5 bar) above 3,500 rpm</b>
<b>Oil temperature</b>	<b>Minimum:</b>	<b>122° F (50 °C)</b>
	<b>Maximum:</b>	<b>266° F (130 °C)</b>
	<b>Optimum:</b>	<b>194 - 230° F (90 - 110 °C)</b>
<b>Cylinder head temper. (CHT)</b>	<b>Minimum:</b>	<b>122° F (50 °C)</b>
	<b>Maximum:</b>	<b>275 ° F (135 °C) *</b>
<b>Exhaust gas temperature (EGT)</b>	<b>Nominal:</b>	<b>1,472° F (800 °C)</b>
	<b>Maximum:</b>	<b>1,562° F (850 °C)</b>
	<b>Max. Takeoff:</b>	<b>1,616° F (880 °C)</b>
<b>Fuel press.</b>	<b>Minimum:</b>	<b>2.2 psi (0.15 bar)</b>
	<b>Maximum:</b>	<b>5.8 psi (0.4 bar)</b>

\* See the Rotax Operator's manual section 10.1.2 Operating speeds and limits and section 10.2.1 Coolant, Rotax Installation manual section 12 Cooling system, Rotax Service Instruction SI-912-016, POH Section 8, paragraph 8.5.3 Coolant and Section 9, Supplement No. 02. Type of coolant used in engine.

## 2.13 Engine instruments markings

Rotax 912ULS 73.5 [kW] (98.6 [hp])	Minimum Limit (red line)	Caution Range (yellow arc)	Normal Operating Range (green arc)	Caution Range (yellow arc)	Maximum Range (red line)
Engine speed [RPM]	-	0-1,400	1,400-5,500	5,500-5,800	5,800
Oil Pressure	12 psi (0.8 bar)	12-29 psi (0.8-2 bar)	29-73 psi (2-5 bar)	73-102 psi (5-7 bar)	102 psi (7 bar)
Oil Temperature	122°F (50°C)	122-194°F (50-90°C)	194-230°F (90-110°C)	230-266°F (110-130°C)	266°F (130°C)
Cylinder head Temperature (CHT)	-	-	122-275°F (50-135°C)	-	275°F (135°C)
Exhaust Gas Temp. (EGT)	-	752-932°F (400-500°C)	932-1,562°F (500-850°C)	1,562-1,616°F (850-880°C)	1,616°F (880°C)
Fuel Pressure	2.2 psi (0.15 bar)	-	2.2-5.8 psi (0.15-0.4 bar)	-	5.8 psi (0.4 bar)

## 2.14 Other limitations

- **No smoking on board of the aircraft!**
- **Approved for Day VFR flights only.**
- **Flight in rain**

When flying in the rain, no additional steps are required. Aircraft qualities and performance are not substantially changed. However **VMC must be maintained!**

- **Minimum instruments and equipment list for Day VFR flights:**
  - Airspeed indicator
  - Altimeter
  - Compass (is not required by ASTM F 2245)
  - Fuel quantity indicator
  - Tachometer (RPM)
  - Engine instruments as required by the engine manufacturer :
    - Oil temperature indicator
    - Oil pressure indicator
    - Cylinder head temperature indicator
  - Safety harness for every used seat
  
- **Additional instruments and equipment list for Night VFR flights:**
  - Attitude indicator
  - Instrument lights
  - Position Lights
  - Anti-collision light
  - Landing light

**WARNING**  
**IFR FLIGHTS AND INTENTIONAL FLIGHTS UNDER ICING CONDITIONS ARE PROHIBITED!**

**WARNING**  
**EMERGENCY PARACHUTE APPROVED FOR UP TO MTOW 1,350 LBS AND MAX. VELOCITY 120 KNOTS!**

**WARNING**  
**MINIMUM 1.58 US GAL (6 LITRES) OF FUEL QUANTITY ALLOWS APPROXIMATELY 15 MINUTES OF SAFE OPERATION!**

**CAUTION**  
**Install air intake shields in front of water and oil cooler, if ambient air temperature is 32°F (0°C) or lower.**

## 2.15 Limitation placards and markings

### *Operating limitation on instrument panel*

AIRSPEEDS:	
V <sub>NE</sub>	138 kts
V <sub>A</sub>	88 kts
V <sub>FE</sub>	75 kts
V <sub>SO</sub>	32 kts

**WARNING !**

DO NOT EXCEED MAXIMUM  
TAKE-OFF WEIGHT: 600kg/1320lbs

**WARNING !**

IFR FLIGHTS AND INTENTIONAL FLIGHTS  
UNDER ICING CONDITIONS ARE PROHIBITED

### *Operating limitation in baggage space*

**MAX. BAGGAGE WEIGHT: 18kg/40lbs**

**MAX. WEIGHT IN WING LOCKER: 20kg/44lbs**

### *Passenger warning*

THIS AIRCRAFT WAS MANUFACTURED IN  
ACCORDANCE WITH LIGHT SPORT AIRCRAFT  
AIRWORTHINESS STANDARDS AND DOES  
NOT CONFORM TO STANDARD CATEGORY  
AIRWORTHINESS REQUIREMENTS.

*Prohibited maneuvers*

**NO INTENTIONAL SPINS !  
AEROBATICS PROHIBITED !**

**2.16 Miscellaneous placards and markings**

**PILOT  
HEADSET**

**FUEL CAPACITY:  
57 Litres/15 US Gal.  
MOGAS RON 95/AKI 91  
AVGAS 100 LL**

**MUSIC IN  
COPILOT  
HEADSET**

**FUEL DRAIN ↘**

**AEROSHELL OIL  
SPORT PLUS 4**

**MUSIC IN**

**↑ MAX  
POWER  
↓ IDLE**

**↑ OFF  
CHOKE  
↓ ON**

**↑ C  
O L  
P O  
E S  
N E  
↓**

**FLAPS  
UP**

**FLAPS  
DOWN**



PEDAL SETTING ↘

✓ PEDAL SETTING

CANOPY OPENED

CANOPY CLOSED

BAGGAGE COMPARTMENT - A

BAGGAGE COMPARTMENT - B

**NO STEP**

**NO PUSH**

If BRS rescue system is installed:



- located on the both sides of fuselage  
between canopy and rear window

This aircraft is equipped with  
a ballistically-deployed  
emergency parachute system



- located in place rocket egress

Rocket Deployed Parachute Egress Area  
**STAY CLEAR**  
Emergency information at: [www.BRSparachutes.com](http://www.BRSparachutes.com)  
or call (651)457-7491 – after hours & weekends call (763) 226-6110

**CAUTION**

The owner (operator) of this airplane is responsible for the readability of placards during the aircraft service life.

## SECTION 3

### TABLE OF CONTENTS

#### 3. EMERGENCY PROCEDURES

3.1	General information	3-2
3.2	Airspeeds for Emergency procedures	3-2
3.3	Engine failure during takeoff run	3-3
3.4	Engine failure after takeoff	3-3
3.5	Loss of engine power in flight	3-3
3.6	In-flight engine starting	3-4
3.7	Emergency landing without engine power	3-4
3.8	Precautionary landing with engine power	3-4
3.9	Engine fire during start	3-5
3.10	Engine fire in flight	3-5
3.11	Electrical fire in flight	3-6
3.12	Generator failure	3-6
3.13	Inadvertent spin recovery	3-7
3.14	Inadvertent icing encounter	3-7
3.15	Obstruction of air into engine filter	3-8
3.16	Vibration	3-8
3.17	Landing with a flat tire	3-9
3.18	Landing with a defective landing gear	3-9
3.19	List of EMS alert alarms	3-10

### 3. EMERGENCY PROCEDURES

#### 3.1 General information

This section provides checklists and amplified procedures for coping with various emergencies that may occur. Emergencies caused by aircraft or engine malfunction are extremely rare if proper pre-flight inspections and maintenance are practiced.

However, should an emergency arise, the basic guidelines described in this section should be considered and applied as necessary to correct the problem.

**CAUTION**

*Airspeeds values are valid for standard AVIATIK WA037383 pitot-static probe.  
These emergency procedures are valid for WOODCOMP KLASSIC 170/3/R three composite blades ground adjustable propeller.*

#### 3.2 Airspeeds for Emergency procedures

- Engine failure after takeoff .....60 [knot] (70 [mph])  
(flaps in T/O or retracted position)
  
- Maneuvering speed at 1,320 [lb] .....88 [knot] (101 [mph])  
Maneuvering speed at 900 [lb] .....70 [knot] (80 [mph])  
(flaps retracted)
  
- Gliding speed .....60 [knot] (70 [mph])  
(flaps retracted)
  
- Precautionary landing with engine power .....60 [knot] (70 [mph])  
(flaps in any position)
  
- Emergency landing without engine power .....60 [knot] (70 [mph])  
(flaps in any position)

### **3.3 Engine failure during takeoff run**

1. Throttle - idle
2. Ignition switch - switch OFF
3. Brakes - apply

### **3.4 Engine failure after takeoff**

1. Push control stick forward
2. Speed - gliding at 60 [knot] (70 [mph])
3. Altitude - below 150 [ft] : land in takeoff direction  
- over 150 [ft] : choose a landing area
4. Landing area - choose free area without obstacles
5. Wind - find direction and velocity
6. Flaps - extend as necessary
7. Trim - adjust
8. Safety harness - tighten
9. Fuel Selector - close
10. Ignition switch - switch OFF
11. Master switch - switch OFF before landing
12. Land

### **3.5 Loss of engine power in flight**

1. Push control stick forward
2. Speed - gliding at 60 [knot] (70 [mph])
3. Altitude - in accordance with actual altitude search for a suitable place to safe land
4. Landing area - choose free area without obstacles
5. Wind - find direction and velocity
6. Emergency landing - perform according to 3.7

### **3.6 In-flight engine starting**

1. Switches - switch OFF unnecessary electrical equipment
2. Master switch - switch ON
3. Fuel Selector - turn on (*to tank with more quantity of fuel*)
4. Throttle - idle
5. Fuel pump - switch ON
6. Ignition switch - hold activated to start the engine
7. After engine starting - fuel pump - switch OFF  
- other switches - switch ON as necessary

### **3.7 Emergency landing without engine power**

Emergency landings are generally carried out in the case of engine failure and the engine cannot be re-started.

1. Speed - adjust for optimum gliding  
*60 [knot] (70 [mph])*
2. Trim - adjust
3. COMM - giving location and intentions - if possible
4. Flaps - extend as necessary
5. Fuel Selector - close
6. Ignition switch - switch OFF
7. Master switch - switch OFF
8. Safety harness - tighten
9. Perform approach without steep turns and land on chosen landing area.

### **3.8 Precautionary landing with engine power**

A precautionary landing is generally carried out in the cases where the pilot may be disorientated, the aircraft has no fuel reserve or possibly in bad weather conditions.

1. Choose landing area, determine wind direction
2. Report your intention to land and landing area location if a COMM is installed in the airplane.

3. Perform low-altitude passage into wind over the right-hand side of the chosen area with flaps extended as needed and thoroughly inspect the landing area.
4. Perform circle pattern.
5. Perform approach at increased idling with flaps fully extended at 60 [knot] (70 [mph])
6. Reduce power to idle when flying over the runway threshold and touch-down at the very beginning of the chosen area.
7. After stopping the airplane switch OFF all switches, shut OFF the fuel selector, lock the airplane and seek assistance.

**NOTE**

Watch the chosen area steadily during precautionary landing.

### 3.9 Engine fire during start

1. Fuel Selector - close
2. Throttle - full power
3. Ignition switch - switch OFF
4. Master - switch OFF
5. Leave the airplane
6. Extinguish fire by fire extinguisher or call for a fire-brigade if you cannot do it.

### 3.10 Engine fire in flight

1. Heating - close
2. Fuel Selector - close
3. Throttle - full power
4. Ignition switch - switch OFF after the fuel in carburetors is consumed and engine shut down
5. Master switch - switch OFF
6. Emergency landing - perform according to 3.7 as soon as possible
7. Leave the airplane
8. Extinguish fire by yourself or call for a fire-brigade if you cannot do it.

**NOTE**

*Estimated time to pump fuel out of carburetors is about 30 [sec].*

**WARNING**

*Do not attempt to re-start the engine!*

### **3.11 Electrical fire in flight**

1. Master switch - switch OFF
2. Other switches - switch OFF
3. Heating - close
4. Ventilation - open
5. Use the fire extinguisher *(if installed)*
6. Emergency landing - perform according to 3.7 as soon as possible

### **3.12 Generator failure**

- GEN "OFF" highlighted red and blinking, bringing up the alarm bar at the bottom of the EMS screen with message, triggering the external EMS warning light and audio alert
  - Voltmeter (on EMS screen) indicates voltage under 12.5 V.
  - Ammeter (on EMS screen) permanently indicates negative current independently on engine RPM.
1. Switch OFF - all unnecessary electrical equipment
  2. Switch ON - Master, Instruments and Avionics
  3. Voltmeter - monitor voltage of battery
  4. Land as soon as possible at nearest suitable airport.

**CAUTION**

*Use transceiver, transponder and GPS as necessary, short time only.  
Operating time of battery in good condition is up to 15 minutes.  
The engine runs independently on generator functioning.*



### 3.13 Inadvertent spin recovery

There is no uncontrollable tendency of the airplane to enter into a spin provided the normal piloting techniques are used.

#### Inadvertent spin recovery technique:

1. Throttle - idle
2. Lateral control - ailerons neutralized
3. Rudder pedals - full opposite rudder
4. Rudder pedals - neutralize rudder immediately when rotation stops
5. Longitudinal control - neutralizes or push forward and recovery dive.

**WARNING**  
**INTENTIONAL SPINS ARE PROHIBITED!**

### 3.14 Inadvertent icing encounter

**CAUTION**  
*Aircraft is approved to operate in VMC condition only!*

1. Leave icing area - turn back or change altitude to reach area with higher outside air temperature
2. Carburetor heating - open
3. Cabin heating - open
4. Increase RPM to minimize ice build-up on propeller blades
5. Continue to move control surfaces to maintain their moveability
6. In case of icing on the leading edge of wing, the stall speed will increase
7. In case of icing on the pitot probe, erroneous indicating of the airspeed and altimeter
8. If you fail to recover the engine power or normal flight conditions, land on the nearest airfield (*if possible*) or depending on the circumstances, perform a precautionary landing according to 3.8 or emergency landing according to 3.7.

**NOTE**

*The carburetor icing and air filter icing shows itself through a decrease in engine power and an increase of engine temperatures.*

**NOTE**

*Use carburetor heating during lengthy descents and in areas of possible carburetor icing.*

**3.15 Obstruction of air into engine filter**

If the engine runs rough and power decrease, air filter can be clogged with some impurities e.g. dust or ice.

Perform:

1. Carburetor heating - open
2. Check engine running and monitor engine instruments.
3. Land as soon as possible at nearest suitable airport.

If you fail to recover the engine power, land on the nearest airfield (*if possible*) or depending on the circumstances, perform a precautionary landing according to 3.8.

**3.16 Engine vibration**

If any forced aircraft vibrations appear, it is necessary:

1. To set engine speed to such power rating where the vibrations are lowest.
2. To land on the nearest airfield or to perform a precautionary landing according to 3.8.

### **3.17 Landing with a flat tire**

1. During landing keep the damaged wheel above ground as long as possible using the ailerons control
2. Maintain the direction on the landing roll out, applying rudder control.

### **3.18 Landing with a defective landing gear**

4. If the main landing gear is damaged, perform touch-down at the lowest practicable speed and if possible, maintain direction during landing run.
5. If the nose wheel is damaged perform touch-down at the lowest practicable speed and hold the nose wheel above the ground by means of the elevator control as long as possible.

**3.19 List of EMS alert alarms**

<b>HIGH RPM ALARM</b>
<b>HIGH MANIFOLD PRESSURE ALARM</b>
<b>HIGH OIL PRESSURE ALARM</b>
<b>LOW OIL PRESSURE ALARM</b>
<b>HIGH OIL TEMPERATURE ALARM</b>
<b>LOW OIL TEMPERATURE ALARM</b>
<b>HIGH EGT 1 / 2 ALARM</b>
<b>LOW EGT 1 / 2 ALARM</b>
<b>HIGH CHT 1 / 2 ALARM</b>
<b>LOW CHT 1 / 2 ALARM</b>
<b>LOW L / R FUEL TANK ALARM</b>
<b>HIGH FUEL PRESSURE ALARM</b>
<b>LOW FUEL PRESSURE ALARM</b>
<b>HIGH VOLTAGE ALARM</b>
<b>LOW VOLTAGE ALARM</b>
<b>HIGH CURRENT ALARM</b>
<b>LOW CURRENT ALARM</b>



## SECTION 4

### TABLE OF CONTENTS

#### 4. NORMAL PROCEDURES

4.1 Preflight check	4-2
4.2 Engine starting	4-4
4.3 Taxiing	4-6
4.4 Normal takeoff	4-6
4.5 Climb	4-7
4.6 Best angle of climb speed ( $V_X$ )	4-7
4.7 Best rate of climb speed ( $V_Y$ )	4-7
4.8 Cruise	4-7
4.9 Descend	4-7
4.10 Approach	4-8
4.11 Normal landing	4-8
4.12 Short field takeoff and landing procedures	4-9
4.13 Balked landing procedures	4-9
4.14 Airplane parking and tie-down	4-10

## 4. NORMAL PROCEDURES

This section provides checklists and recommended procedures for normal operation of the aircraft.

### CAUTION

*Airspeeds values are valid for standard AVIATIK WA037383 pitot-static probe.  
These emergency procedures are valid for standard WOODCOMP KLASSIC 170/3/R three composite blades ground adjustable propeller.*

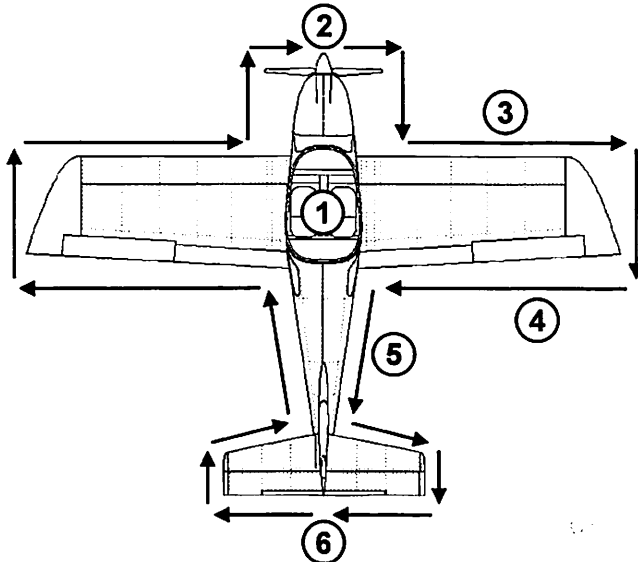
### 4.1 Preflight check

Carry out the pre-flight inspection every day prior to the first flight or after airplane assembly. Incomplete or careless inspection can cause an accident. Carry out the inspection following the instructions in the Inspection Check List.

### NOTE

*The word "condition" in the instructions means a visual inspection of surface for damage deformations, scratching, chafing, corrosion or other damages, which may lead to flight safety degradation.*

The manufacturer recommends carrying out the pre-flight inspection as follows:



## Inspection Check List

①	<ul style="list-style-type: none"> <li>- Ignition - OFF</li> <li>- Master switch - ON</li> <li>- Instruments switch - ON, check fuel quantity on indicators</li> <li>- Avionics - check condition</li> <li>- Control system - visual inspection, function, clearance, free movement up to stops</li> <li>- check wing flaps operation</li> <li>- check trims operation</li> <li>- Master and Instr. switches - OFF</li> <li>- Canopy - condition of attachment, cleanness</li> <li>- Check cockpit for loose objects</li> </ul>
②	<ul style="list-style-type: none"> <li>- Engine cowling condition</li> <li>- Propeller and spinner condition</li> <li>- Engine mount and exhaust manifold condition</li> <li>- Oil quantity check                             <ul style="list-style-type: none"> <li>- before this check, ensure Ignition OFF, then turn the propeller by hand in direction of engine rotation several times to pump oil from the engine into the oil tank (see the Rotax Operator's manual section 0.3.3)</li> </ul> </li> <li>- Coolant quantity check</li> <li>- Visual inspection of the fuel and electrical system</li> <li>- Fuel system draining</li> <li>- Other actions according to the engine manual</li> </ul>
③	<ul style="list-style-type: none"> <li>- Wing surface condition</li> <li>- Leading edge condition</li> <li>- Pitot head condition</li> </ul>
④	<ul style="list-style-type: none"> <li>- Wing tip - surface condition, attachment</li> <li>- Aileron - surface condition, attachment, clearance, free movement</li> <li>- Wing flap - surface condition, attachment, clearance</li> </ul>
⑤	<ul style="list-style-type: none"> <li>- Landing gear - wheel attachment, brakes, condition and pressure of tires</li> <li>- Wing lower surface and fuselage bottom condition</li> </ul>
⑥	<ul style="list-style-type: none"> <li>- Vertical tail unit - condition of surface, attachment, free movement, rudder stops</li> <li>- Horizontal tail unit - condition of surface, attachment, free movement, elevator stops</li> </ul>
	<ul style="list-style-type: none"> <li>- Check that left side the fuselage and wing is the same as right side.</li> </ul>

**WARNING**

*Physically check the fuel level before each takeoff to make sure you have sufficient fuel for the planned flight.*

**WARNING**

*In case of long-term parking it is recommended to turn the engine several times (Ignition OFF!) by turning the propeller. Always handle by palm the blade area i.e. do not grasp only the blade edge. It will facilitate engine starting.*

## **4.2 Engine starting**

### **4.2.1 Before engine starting**

- |                   |                            |
|-------------------|----------------------------|
| 1. Control system | - free & correct movement  |
| 2. Canopy         | - clean, closed and locked |
| 3. Safety harness | - tighten                  |
| 4. Brakes         | - fully applied            |

### **4.2.2 Engine starting**

*NOTE: Start the engine according to procedure in Rotax Operator's manual.*

- |                          |   |
|--------------------------|---|
| 1. Throttle              | - idle  |
| 2. Choke - cold engine   | - ON (fully pulled and hold)  |
| - warm engine            | - OFF   |
| 3. Fuel selector         | - turn on (left or right fuel tank in accordance with fuel tanks filling) |
| 4. Master switch         | - switch ON   |
| 5. Fuel pump             | - switch ON   |
| 6. Propeller area        | - clear   |
| 7. Ignition switch       | - hold activated to start the engine                                      |
| 8. After engine starting | - Instrument - switch ON  |
|                          | - Fuel pump - switch OFF  |
|                          | - Avionics - switch ON  |
|                          | - other switches - switch ON as necessary                                 |
| 9. Choke                 | - gradually release during engine warming up                              |
| 10. Throttle             | - maintain max. 2,500 [rpm] for warming up                                |



**WARNING**

*Takeoff is prohibited if:*

- *Engine is running unsteadily*
- *Engine instrument values are beyond operational limits*
- *Aircraft systems (e.g. brakes or controls) work incorrectly*
- *Crosswind velocity exceeds permitted limits*  
*(see Section 5 Performance, 5.7 Demonstrated wind performance)*

**4.5 Climb**

- |                  |  |
|------------------|--|
| 1. Throttle      | - max. takeoff power<br><i>(max. 5,800 [rpm] for max. 5 [min])</i> |
|                  | - max. continuous power <i>(5,500 [rpm])</i>                       |
| 2. Airspeed      | - $V_x = 60$ [knot] <i>(70 [mph])</i>                              |
|                  | - $V_y = 65$ [knot] <i>(75 [mph])</i>                              |
| 3. Trim          | - trim the airplane  |
| 4. Engine gauges | - oil temperature, oil pressure and<br>CHT within limits           |

**CAUTION**

*If the cylinder head temperature or oil temperature and/or coolant temperature approaches or exceeds limits, reduce the climb angle to increase airspeed and possibly return within limits. If readings do not improve, troubleshoot causes other than high power setting at low airspeed.*

**4.6 Best angle of climb speed ( $V_x$ ):** 60 [knot] (70 [mph])

**4.7 Best rate of climb speed ( $V_y$ ):** 65 [knot] (75 [mph])

**4.8 Cruise**

Refer to Section 5, for recommended cruising figures

**4.9 Descend**

1. Optimum glide speed - 60 [knot] (70 [mph])

## 4.10 Approach

- |                   |                        |
|-------------------|------------------------|
| 1. Approach speed | - 60 [knot] (70 [mph]) |
| 2. Throttle       | - as necessary         |
| 3. Wing flaps     | - extend as necessary  |
| 4. Trim           | - as necessary         |
| 5. Safety harness | - tighten              |

### CAUTION

*It is not advisable to reduce the engine throttle control lever to minimum on final approach and when descending from very high altitude. In such cases the engine becomes under-cooled and a loss of power may occur. Descent at increased idle (approximately 3,000 [rpm]), speed between 60-75 [knot] (70-86 [mph]) and check that the engine instruments indicate values within permitted limits.*

## 4.11 Normal landing

### 4.11.1 Before landing

- |               |                        |
|---------------|------------------------|
| 1. Throttle   | - as necessary         |
| 2. Airspeed   | - 60 [knot] (70 [mph]) |
| 3. Wing flaps | - extend as necessary  |
| 4. Trim       | - as necessary         |

### 4.11.2 Landing

- |                              |   |
|------------------------------|---|
| 1. Throttle                  | - idle  |
| 2. Touch-down on main wheels |   |
| 3. Apply brakes              | - as necessary<br>(after the nose wheel touch-down) |

### 4.11.3 After landing

- |               |  |
|---------------|--|
| 1. Throttle   | - engine rpm set as required for taxiing |
| 2. Wing flaps | - retract                                |
| 3. Trim       | - set neutral position                   |

#### 4.11.4 Engine shut down

- |                      |   |
|----------------------|---|
| 1. Throttle          | - idle  |
| 2. Instruments       | - engine instruments within limits                        |
| 3. Switches          | - switch OFF - except <i>Instrument</i> and <i>Master</i> |
| 4. Ignition switch   | - turn key to switch OFF                                  |
| 5. Instrument switch | - switch OFF  |
| 6. Master switch     | - switch OFF  |
| 7. Fuel Selector     | - close   |

#### CAUTION

Rapid engine cooling should be avoided during operation. This happens above all during aircraft descent, taxiing and low engine [rpm] or at engine shutdown immediately after landing.

Under normal conditions the engine temperatures stabilize during descent, taxiing and at values suitable to stop engine by switching the ignition off. If necessary, cool the engine at *idle* [rpm] to stabilize the temperatures prior to engine shut down.

#### 4.12 Short field takeoff and landing procedures

None

#### 4.13 Balked landing procedures

- |                          |   |
|--------------------------|---|
| 1. Throttle              | - max. takeoff power<br>(max. 5,800 [rpm] for max. 5 [min])                             |
| 2. Climb                 | - after reaching<br>65 [knot] (75 [mph])  |
| 3. Trim                  | - adjust as necessary   |
| 4. Wing flaps            | - retract at safe altitude<br>(max. airspeed for flaps using is<br>75 [knot], 86 [mph]) |
| 5. Trim                  | - adjust as necessary   |
| 6. Repeat circle pattern |   |

### **4.14 Aircraft parking and tie-down**

1. Ignition switch - OFF
2. Master switch - OFF
3. Fuel selector - close
4. Parking brake - use it as necessary (if installed)
5. Canopy - close, lock as necessary
6. Secure the airplane

**NOTE**

It is recommended to use parking brake (if installed) for short-time parking only, between flights during a flight day. After ending the flight day or at low temperatures of ambient air, do not use parking brake, but use the wheel chocks instead.

**NOTE**

*Use anchor eyes on the wings and fuselage rear section to fix the airplane. Move control stick forward and fix it together with the rudder pedals. Make sure that the cockpit canopy is properly closed and locked. The anchoring before leaving the airplane is important if the airplane is not equipped with a parking brake.*

# **SECTION 5**

## **TABLE OF CONTENTS**

### **5. PERFORMANCE**

<b>5.1</b>	<b>Takeoff distances</b>	<b>5-3</b>
<b>5.2</b>	<b>Landing distances</b>	<b>5-3</b>
<b>5.3</b>	<b>Rate of climb</b>	<b>5-3</b>
<b>5.4</b>	<b>Cruise speeds</b>	<b>5-4</b>
<b>5.5</b>	<b>RPM setting and fuel consumption</b>	<b>5-5</b>
<b>5.6</b>	<b>Airspeed indicator system calibration</b>	<b>5-6</b>
<b>5.7</b>	<b>Demonstrated wind performance</b>	<b>5-7</b>

## **5. PERFORMANCE**

The presented data has been computed from actual flight tests with the aircraft and engine in good conditions and using average piloting techniques. If not stated otherwise, the performance stated in this section is valid for maximum take-off weight (1,320 [lb]/600 [kg]) and under ISA conditions.

The performance shown in this section is valid for aircraft fitted with given **ROTAX 912 ULS 98.6 [hp] (73.5 [kW])** engine and **WOODCOMP KLASSIC 170/3/R** three composite blades ground adjustable propeller as delivered.

**CAUTION**

*Airspeeds values are valid for standard AVIATIK WA037383 pitot-static probe.*

### 5.1 Takeoff distances

Conditions: - Altitude: 0 ft ISA  
 - Engine power: *max. takeoff*  
 - Flaps: 15°

RUNWAY SURFACE	Takeoff run distance	Takeoff distance over 50 ft obstacle
	<i>ft</i>	<i>ft</i>
CONCRETE	328	820
GRASS	361	918

### 5.2 Landing distances

Conditions: - Altitude: 0 ft ISA  
 - Engine power: *idle*  
 - Flaps: 30°  
 - Brakes fully depressed immediately after touch-down

RUNWAY SURFACE	Landing distance over 50 ft obstacle	Landing run distance (braked)
	<i>ft</i>	<i>ft</i>
CONCRETE	591	180
GRASS	558	197

### 5.3 Rate of climb

Conditions: Engine: <i>max. power</i> Flaps: 0°	Best rate of climb speed		Rate of climb Vz
	<i>knot</i>	<i>mph</i>	<i>fpm</i>
Altitude			
0 ft	65	75	1,200
3000 ft	65	75	850
6000 ft	60	70	550
9000 ft	55	63	315

**5.4 Cruise speeds**

Altitude	Engine speed	IAS		CAS	
		knot	mph	knot	mph
ft	rpm				
<b>1000</b>	4200	77	89	77	88
	4500	86	99	85	98
	4800	95	109	93	107
	5000	101	116	98	113
	5300	110	126	106	122
	5500	116	133	111	128
	5800	125	143	119	137
<b>3000</b>	4200	75	86	75	86
	4500	83	96	82	94
	4800	92	106	90	104
	5000	97	112	95	109
	5300	106	122	103	118
	5500	112	129	108	124
	5800	120	139	116	133
<b>5000</b>	4200	72	83	72	83
	4500	80	92	79	91
	4800	88	101	86	99
	5000	94	108	92	106
	5300	102	117	99	114
	5500	107	124	104	120
	5800	116	134	112	129
<b>7000</b>	4200	69	79	70	80
	4500	77	88	77	88
	4800	84	97	83	96
	5000	90	103	88	101
	5300	97	112	95	109
	5500	103	118	100	115
	5800	111	127	107	123
<b>9000</b>	4200	65	75	66	76
	4500	73	84	73	84
	4800	80	93	80	92
	5000	85	98	84	97
	5300	93	107	91	104
	5500	98	112	95	109
	5800	105	121	102	117



### 5.5 RPM setting and fuel consumption

Altitude		ft	3,000					
Engine speed		<i>rpm</i>	4,200	4,500	4,800	5,000	5,300	5,500
Fuel consumption		<i>l/h</i>	11.5	14.0	16.5	18.5	21.0	23.0
		<i>US gal/h</i>	3.04	3.70	4.36	4.89	5.55	6.08
Airspeed	IAS	<i>knot</i>	75	83	92	97	106	112
		<i>mph</i>	86	95	106	111	122	129
	CAS	<i>knot</i>	75	82	90	95	103	108
		<i>mph</i>	86	94	104	109	118	124
	TAS	<i>knot</i>	78	85	93	98	106	111
		<i>mph</i>	90	98	107	113	122	128
<b>Endurance and Range at 29.85 US gal (113 liters)</b>								
Endurance		<i>hh:mm</i>	9:50	8:04	6:51	6:06	5:23	4:55
Range		<i>NM</i>	766	686	637	599	570	545
		<i>SM</i>	881	789	732	688	656	627
<b>Endurance and Range at 23.77 US gal (90 liters)</b>								
Endurance		<i>hh:mm</i>	7:50	6:26	5:27	4:52	4:17	3:55
Range		<i>NM</i>	610	546	507	477	454	434
		<i>SM</i>	702	628	583	548	522	500
<b>Endurance and Range at 15.85 US gal (60 liters)</b>								
Endurance		<i>hh:mm</i>	5:13	4:17	3:38	3:14	2:52	2:37
Range		<i>NM</i>	407	364	338	318	303	290
		<i>SM</i>	468	419	389	366	348	333
<b>Endurance and Range at 7.92 US gal (30 liters)</b>								
Endurance		<i>hh:mm</i>	2:37	2:08	1:49	1:37	1:26	1:18
Range		<i>NM</i>	203	182	169	159	151	145
		<i>SM</i>	234	209	194	183	174	167
<b>Endurance and Range at 3.96 US gal (15 liters)</b>								
Endurance		<i>hh:mm</i>	1:18	1:04	0:55	0:49	0:43	0:39
Range		<i>NM</i>	102	91	85	79	76	72
		<i>SM</i>	117	105	97	91	87	83

**5.6 Airspeed indicator system calibration**

<b>IAS</b>	<b>CAS</b>
<i>knot</i>	
30	35
35	39
40	44
45	48
50	53
55	57
60	62
65	66
70	71
75	75
80	79
85	84
90	88
95	93
100	97
105	102
110	106
115	111
120	115
125	120
130	124
135	129
140	133

<b>IAS</b>	<b>CAS</b>
<i>mph</i>	
35	41
40	45
45	49
50	54
55	58
60	63
65	67
70	72
75	76
80	81
85	85
90	89
95	94
100	98
105	103
110	107
115	112
120	116
125	121
130	125
135	130
140	134
145	139
150	143
155	148
160	152

### 5.7 Demonstrated wind performance

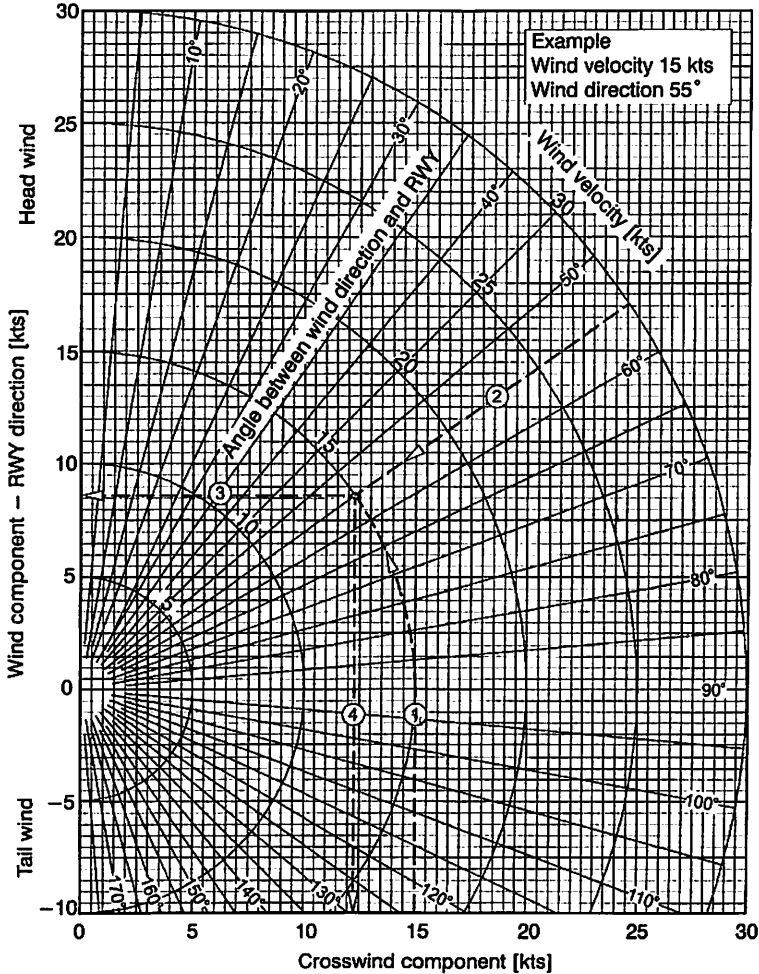
Max. demonstrated headwind velocity for take-off and landing:

24 [knot] (13 [m/s])

Max. demonstrated crosswind velocity for take-off and landing:

12 [knot] (6,5 [m/s])

#### Wind components figure



**Example:** 1. Wind velocity ..... 15 knots      3. Headwind component ..... 8.6 knots  
 2. Wind direction ..... 55°                      4. Crosswind component ..... 12.3 knots

*Intentionally left blank*

# **SECTION 6**

## **TABLE OF CONTENTS**

### **6. WEIGHT AND BALANCE**

<b>6.1</b>	<b>Introduction</b>	<b>6-2</b>
<b>6.2</b>	<b>Airplane weighing procedure</b>	<b>6-2</b>
<b>6.3</b>	<b>Weight and balance C.G. layout</b>	<b>6-3</b>
<b>6.4</b>	<b>Operating weights and loading</b>	<b>6-4</b>
<b>6.5</b>	<b>C.G. range and determination</b>	<b>6-4</b>
<b>6.6</b>	<b>Permitted payload range table</b>	<b>6-6</b>
<b>6.7</b>	<b>Installed equipment list</b>	<b>6-8</b>

## **6. WEIGHT AND BALANCE**

### **6.1 Introduction**

This section contains weight and balance records and the payload range for safe operation of PiperSport aircraft.

Procedures for weighing the aircraft and the calculation method for establishing the permitted payload range are contained in FAA Aviation Advisory Circular AC.43.13 – 1B.

### **6.2 Airplane weighing procedure**

#### **1. Preparation**

- remove all impurities from the aircraft as well as further undesirable objects
- inflate tires to recommended operating pressure
- drain fuel from fuel installation
- add oil, hydraulic and cooling liquid up to the maximum specified value
- retract wing flaps, close the canopy and other lids and covers, remove control surfaces blocking
- level the airplane according to the rivet line located on the fuselage (on LH and RH sides) under the canopy frame

#### **2. Leveling**

- Place scales under each wheel
- Deflate the nose tire and/or lower or raise the nose strut to properly center the bubble in the level.

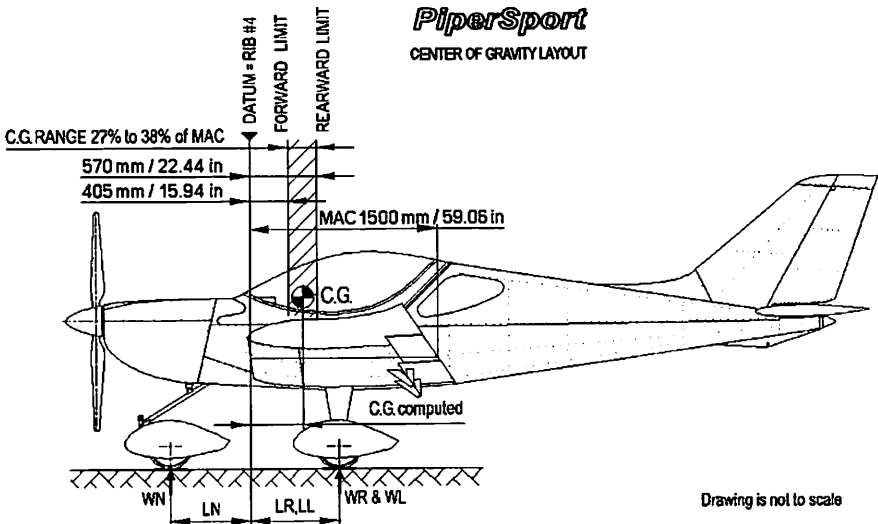
#### **3. Weighing**

- With the airplane level and brakes released, record the weight shown on each scale. Deduct the tare, if any, from each reading.

#### 4. Measuring

- Obtain measurement LR and LL by measuring horizontally (along the airplane center line) from a line stretched between the Rib No. 4.
  - Obtain measurement LN by measuring horizontally and parallel to the airplane center line, from center of nose wheel axle left sides, to a plumb bob dropped from the Rib No. 4. Repeat on right side and average the measurements.
5. Using weights from item 3. and measurements from item 4. the airplane weight and C.G. can be determined.
6. Basic Empty Weight may be determined by completing appropriate table.

### 6.3 Weight and balance C.G. layout



### 6.4 Operating weights and loading

Max. takeoff weight .....	1,320 [lb]	(600 [kg])
Max. landing weight .....	1,320 [lb]	(600 [kg])
Max. weight of fuel .....	180 [lb]	(82 [kg])
Max. baggage weight in rear fuselage .....	40 [lb]	(18 [kg])
Max. baggage weight in each wing locker.....	44 [lb]	(20 [kg])
Empty weight (minimum equipment).....	760 [lb]	(345 [kg])

**NOTE**

*Actual Empty weight is shown in Section 9, Supplement No. 02*

Number of seats.....	2	
Minimum crew .....	1 pilot on the left seat	
Minimum crew weight.....	95 [lb]	(43 [kg])
Maximum crew weight on each seat.....	253 [lb]	(115 [kg])

### 6.5 C.G. range and determination

**Aircraft C.G. range:**

Operating C.G. range .....	27 to 38 [%] of MAC
	15.94 to 22.44 [in] (405 to 570 [mm]) of MAC
Empty weight C.G. range .....	28 to 32 [%] of MAC
	16.54 to 18.90 [in] (420 to 480 [mm]) of MAC

**Aircraft C.G. determination:**

**NOTE**

*Actual Weight and Balance record is shown in Section 9, Supplement No. 02.*



Blank form of Weight & Balance record

<b>AIRCRAFT EMPTY C.G.</b>	<b>ITEM</b>	<b>WEIGHT</b> [lb/kg]	<b>ARM</b> [in/mm]	<b>MOMENT</b> (WEIGHT x ARM)
	<b>RIGHT MAIN WHEEL</b>	$W_R =$	$L_R =$	
	<b>LEFT MAIN WHEEL</b>	$W_L =$	$L_L =$	
	<b>NOSE WHEEL</b>	$W_N =$	$L_N =$ - <i>negative arm</i>	-
	<b>COMPUTED C.G. EMPTY</b>	<b>Empty weight:</b> $W_E =$ [lb/kg]	<b>C.G. =</b> [in/mm] [%]MAC	<b>Aircraft moment:</b> $M_E =$

<b>AIRCRAFT C.G.</b>	<b>WEIGHT</b> [lb/kg]	<b>ARM</b> [in/mm]	<b>MOMENT</b> (WEIGHTxARM)
<b>EMPTY AIRCRAFT</b>		-----	
<b>PILOT</b>		27.56 / 700	
<b>PASSENGER</b>		27.56 / 700	
<b>BAGGAGE COMPARTMENT - A</b>		51.58 / 1,310	
<b>BAGGAGE COMPARTMENT - B</b>		70.87 / 1,800	
<b>WING LOCKERS</b>		23.62 / 600	
<b>FUEL TANKS</b>		7.09 / 180	
<b>TOTAL</b>	$W_T =$ [lb/kg]		$M_T =$
<b>TAKEOFF WEIGHT</b>	[lb/kg]		<b>C.G. =</b> [in/mm] [%] MAC

NOTE:

EMPTY WEIGHT INCLUDING OIL, COOLANT AND HYDRAULIC FLUID.

MAXIMUM FUEL QUANTITY IN WING TANKS (180.62LB =30.1US GAL / 82.1KG=114L) IS USED FOR MOST FORWARD C.G. CALCULATION.

MINIMUM FUEL QUANTITY IN WING TANKS FOR 30 MINUTE FLIGHT (22.2LB=3.7US GAL / 10.1KG=14L) IS SUBTRACTED FROM MTOW (1,320LB / 600KG). MOST REARWARD C.G. CALCULATION IS DONE WITH ZERO FUEL QUANTITY (AFTER FUEL DEPLETION).

**Max. takeoff weight :** 1,320 [lb] (600 [kg])

**Max. weight in baggage compartment A+B :** 40 [lb] (18 [kg])

**Max. weight in wing lockers together :** 88 [lb] (40 [kg])

**Empty weight C.G. range :** 16.54 to 18.90 [in] (420 to 480 [mm]) / 28 to 32 [%] of MAC

**Operating C.G. range :** 15.94 to 22.44 [in] (405 to 570 [mm]) / 27 to 38 [%] of MAC

**Maximum useful weight:**

$$\begin{aligned} W_{\text{Max Useful}} &= W_{\text{Max Takeoff}} - W_E \\ W_{\text{Max Useful}} &= 1,320 \text{ [lb] (600 [kg])} - \quad = \underline{\hspace{2cm}} \text{ [lb]/[kg]} \end{aligned}$$

**This useful weight must be never exceeded!**

NOTE: MAXIMUM USEFUL WEIGHT INCLUDING PILOT, PASSENGER, BAGGAGE AND FUEL.

$$\text{Aircraft C.G.} = \frac{M_E (M_T)}{W_E (W_T)} \text{ [in/mm]} \times \frac{100}{\text{MAC}} \text{ [%]}$$

<b>Registration:</b>
<b>Serial No.:</b>
<b>Date:</b>
<b>By:</b>

## 6.6 Permitted payload range table

**NOTE**  
Actual Permitted payload range table is shown in Section 9, Supplement No. 02.



**Blank form of Permitted payload range table**

<b>PiperSport</b>			Serial number :				
<b>FUEL</b>	gauges together		for 30 min flight	<b>1 / 4</b>	<b>1 / 2</b>	<b>3 / 4</b>	<b>1</b>
	volume	US gal	3.7	7.5	15.1	22.6	30.1
		liter	14	28.5	57	85.5	114
	weight	lb	22.2	45.1	90.3	135.4	180.6
kg		10.1	20.5	41	61.6	82.1	
			<b>Permitted crew weight</b>				
<b>BAGGAGE</b>	No baggage	lb					
		kg					
	½ rear (A) 20 [lb] (9 [kg])	lb					
		kg					
	rear (A) 40 [lb] (18 [kg])	lb					
		kg					
	½ wing lockers 44 [lb] (20 [kg])	lb					
		kg					
	½ rear (A) + ½ wing lockers 64 [lb] (29 [kg])	lb					
		kg					
	rear (A) + ½ wing lockers 84 [lb] (38 [kg])	lb					
		kg					
	wing lockers 88 [lb] (40 [kg])	lb					
		kg					
	½ rear (A) + wing lockers 108 [lb] (49 [kg])	lb					
		kg					
rear (A) + wing lockers 128 [lb] (58 [kg])	lb						
	kg						
<b>Crew weight = Max. Takeoff weight - Empty weight - Baggage weight - Fuel weight</b>							

**Crew weight values must be determined with regard on rearward C.G. limit.**

**Max. takeoff weight : 1,320 [lb] (600 [kg])**

## **6.7 Installed equipment list**

**NOTE**

*Actual Installed equipment list is shown in Section 9, Supplement No. 02.*

# **SECTION 7**

## **TABLE OF CONTENTS**

### **7. DESCRIPTION OF AIRPLANE AND SYSTEMS**

<b>7.1 General</b>	<b>7-2</b>
<b>7.2 Airframe</b>	<b>7-2</b>
<b>7.3 Flight controls</b>	<b>7-2</b>
<b>7.4 Instrument panel</b>	<b>7-3</b>
<b>7.5 Engine</b>	<b>7-3</b>
<b>7.6 Propeller</b>	<b>7-4</b>
<b>7.7 Landing gear</b>	<b>7-5</b>
<b>7.8 Baggage compartment</b>	<b>7-5</b>
<b>7.9 Seats and safety harnesses</b>	<b>7-5</b>
<b>7.10 Canopy</b>	<b>7-6</b>
<b>7.11 Fuel system</b>	<b>7-6</b>
<b>7.12 Electrical system</b>	<b>7-7</b>
<b>7.13 Pitot-static system</b>	<b>7-7</b>

## **7. DESCRIPTION OF AIRPLANE AND SYSTEMS**

### **7.1 General**

This section provides description and operation of the aircraft and its systems.

PiperSport aircraft is a single-engine, all metal, low-wing monoplane of semi-monocoque structure with two side-by-side seats. The airplane is equipped with a fixed tricycle undercarriage with castoring nose wheel.

Some parts of airplane are made from fiberglass laminate.

### **7.2 Airframe**

All-metal construction, stressed skin, single curvature metal skins riveted to stiffeners. Construction is of 6061-T6 aluminum sheet metal riveted to aluminum angles with Avex rivets. This high strength aluminum alloy construction provides long life and low maintenance costs thanks to its durability and corrosion resistance characteristics.

The wing has a high lift airfoil equipped with flaps.

### **7.3 Flight controls**

The plane is equipped with a dual stick control, the adjustable rudder pedals with pedal hydraulic brakes for easy ground control of the castoring nose wheel.

Lateral and longitudinal control movement is transferred by mechanical system of pull rods and levers.

Rudder control is controlled by pedals of foot control. The rudder is interconnected with foot control pedals by cable system.

The elevator and aileron trims are electrically actuated by buttons on the control stick.

Wing flaps are electrically actuated by the rocker switch located on the middle panel.

## 7.4 Instrument panel

Actual picture, description and data for follow items are shown in Section 9, Supplement No.02

- Instrument panel layout
- Description of instrumentation and controls in the cockpit
- Instruments and Avionics

### NOTE

*For instrument and avionics operating instructions refer to the documentation supplied with the instruments and avionics.*

## 7.5 Engine

ROTAX 912 ULS engine 73.5 [kW] (98.6 [hp]) is installed in PiperSport. Rotax 912 ULS is a 4-stroke, 4-cylinder, horizontally opposed, spark ignition engine with one central camshaft-push-rod-OHV. Liquid cooled cylinder heads, ram air cooled cylinders.

Dry sump forced lubrication. Dual contactless capacitor discharge ignition. The engine is fitted with an electric starter, AC generator and mechanical fuel pump. Prop drive via reduction gear with integrated shock absorber.

For information about engine performance, speeds and limits see :

- Section 2, chapter 2.12 "Engine operating speeds and limits" in this POH
- Rotax "Operators manual" for engine type 912 series

### Engine controls

#### *Throttle and Choke*

Engine power is controlled by means of the THROTTLE lever and the CHOKE lever which are positioned in the middle channel between the seats side by side. Both levers are mechanically connected (*by cable*) to the flap on the carburetors. Springs are added to the throttle push rods to ensure that the engine will go to full power if the linkages fail.

***Carburetor preheating***

Heated air streaming from a heat exchanger to the carburetor through the airbox. The control lever is installed on the middle panel.

***Ignition switch***

Ignition switch must be on "BOTH" position to operate the engine. For safety remove the key when engine is not running.

**NOTE**

*Ignition system is independent of the power source and will operate even with Master switch and/or breaker OFF.*

**Engine instruments**

EMS screen displays all "Engine Instruments" as follows:

- engine speed
- manifold pressure
- oil pressure and temperature
- exhaust gas temperature
- cylinder head temperature
- fuel pressure and flow

For information about engine instruments range and markings see:

- *Section 2, chapter 2.13 "Engine instruments markings".*

**7.6 Propeller**

Standard **WOODCOMP KLASSIC 170/3/R** three composite blades ground adjustable propeller is installed.

**NOTE**

*For technical data refer to documentation supplied by the propeller manufacturer.*



## 7.7 Landing gear

Aircraft is equipped with tricycle landing gear.

Main landing gear uses two fiberglass spring elements. Each main gear wheel is equipped with an independent, hydraulically operated, disc type brakes. Nose wheel is free casting. Steering is accomplished by differential application of individual main gear brakes.

## 7.8 Baggage compartment

The rear baggage compartment is located behind seats. It may accommodate up to 40 [lb] (18 [kg]). This space is divided to two sections:

- A baggage compartment - lowered part of the baggage compartment, close to seats and
- B baggage compartment - raised part of the baggage compartment, further from seats.

Baggage compartment is fitted with four tie-down straps for baggage fixation. Load heavy items in compartment A. and lighter items in compartment B.

Baggage may also be loaded into the baggage compartment inside each wing up to 44 [lb] (20 [kg]), in each wing locker.

Make sure that baggage does not exceed maximum allowable weight, and that the aircraft C.G. is within limits with loaded baggage.

**NOTE**

*The baggage compartment in wing lockers are not waterproof.*

**CAUTION**

All baggage must be properly secured.

## 7.9 Seats and safety harnesses

Side-by-side seating. Seat cushions are removable for easy cleaning and drying. Four point safety belts provided to each seat. Additional seat upholstery to raise the small pilot or move him forward is optional.

**NOTE**

*Prior to each flight, ensure that the seat belts are firmly secured to the airframe and that the belts are not damaged. Adjust the buckle to a central position on the body.*

**7.10 Canopy**

Access to the cabin is from both sides. Make sure that the canopy is latched and mechanism is securely locked into position on both sides before operating the aircraft.

**7.11 Fuel system**

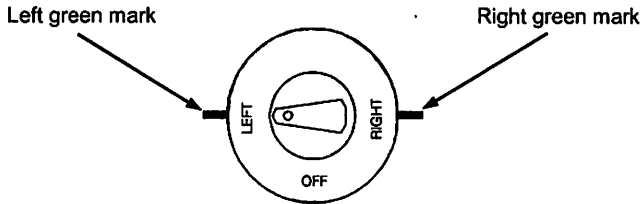
Each tank is equipped with a vent outlet, finger screen filter and float sensor. Drain valve located in the lowest point of the each tank and on the bottom edge of the bulkhead, on the gascollator.

Fuel selector valve is on the central console in the cockpit.

The electric fuel pump is located on bulkhead and it is used for fuel line filling before engine starting.

Fuel return hose goes from the fuel pump into the left tank.

**CAUTION**  
*During operation, fuel valve shall be in "LEFT" or "RIGHT" tank position (position on green mark).*



**NOTE**  
*If left tank is full, start engine with the fuel selector set to LEFT. If you would start the engine with the fuel selector set to RIGHT and the left tank is full, than fuel bleed from the left tank vent may occur because a fuel return hose is led only into the left tank and returning fuel will overflow the left tank.*

**CAUTION**  
*Do not overfill the tanks to avoid fuel overflow through venting tubes.*

## **7.12 Electrical system**

### **Battery**

The 12 [V] battery is mounted on the front side of forward bulkhead.

### **Master switch**

Master switch connects the electrical system to the 12 [V] battery.

## **7.13 Pitot-static system**

Standard *AVIATIK WA037383 pitot-static probe* is located below the left wing. Pressure distribution to the instruments is through flexible plastic hoses. Keep the pitot head clean to ensure proper function of the system.

**SECTION 7  
DESCRIPTION OF  
AIRPLANE AND SYSTEMS**

**PS-POH-1-1-01**

*BA  
PiperSport*

*Intentionally left blank*

# **SECTION 8**

## **TABLE OF CONTENTS**

### **8. HANDLING AND SERVICING**

<b>8.1</b>	<b>Introduction</b>	<b>8-2</b>
<b>8.2</b>	<b>Ground handling</b>	<b>8-2</b>
<b>8.3</b>	<b>Towing instructions</b>	<b>8-3</b>
<b>8.4</b>	<b>Tie-down instructions</b>	<b>8-3</b>
<b>8.5</b>	<b>Servicing operating fluids</b>	<b>8-3</b>
<b>8.6</b>	<b>Cleaning and care</b>	<b>8-5</b>
<b>8.7</b>	<b>Assembly and disassembly</b>	<b>8-6</b>
<b>8.8</b>	<b>Aircraft inspection periods</b>	<b>8-6</b>
<b>8.9</b>	<b>Aircraft alterations or repairs</b>	<b>8-6</b>

## 8. HANDLING AND SERVICING

### 8.1 Introduction

This section contains factory-recommended procedures for proper ground handling and servicing of the airplane. It also identifies certain inspection and maintenance requirements, which must be followed if the airplane is to retain that new-plane performance and dependability.

### 8.2 Ground handling

#### 8.2.1 Parking

It is advisable to park the airplane inside a hangar or alternatively inside any other suitable space (*garage*) with stable temperature, good ventilation, low humidity and dust-free environment.

It is necessary to moor the airplane when it is parked outside a hangar. Also when parking for a long time, cover the cockpit canopy, possibly the whole airplane by means of a suitable tarpaulin.

#### 8.2.2 Jacking

Since the empty weight of this aircraft is relatively low, two people can lift the aircraft easily. First of all prepare two suitable supports to support the aircraft.

It is possible to lift the aircraft by handling the following parts:

- By pushing the fuselage rear section down in the place of a bulkhead the fuselage front section may be raised and then supported under the firewall.
- By holding the fuselage rear section under a bulkhead the fuselage rear may be raised and then supported under that bulkhead.
- To lift up a wing, push from underneath that wing only at the main spar area. Do not lift up a wing by handling the wing tip.

#### 8.2.3 Road transport

The aircraft may be transported after loading on a suitable car trailer. It is necessary to dismantle the wings before road transport. The aircraft and dismantled wings should be attached securely to protect these parts against possible damage.

### 8.3 Towing instructions

To handle the airplane on ground use the *Tow Bar*, or if pushing the airplane by hand, push on the aft fuselage, placing your hands over an area of skin supported by a bulkhead.

#### CAUTION

*Avoid excessive pressure at the airplane airframe-especially at control surfaces.  
Keep all safety precautions, especially in the propeller area.*

### 8.4 Tie-down instructions

The airplane should be moored when parked outside a hangar after the flight day. The mooring is necessary to protect the airplane against possible damage caused by wind and gusts.

For this reason the aircraft is equipped with mooring eyes located on the lower surfaces of the wings.

#### Tie-down procedures:

1. Fuel Selector close, Master switch and other switches switched OFF, Ignition switch switched OFF.
2. Fix the hand control using e.g. safety harness
3. Close air vent
4. Close and lock canopy
5. Moor the aircraft to the ground by means of a mooring rope passed through the mooring eyes located on the lower surfaces of the wings and below rear fuselage.

#### NOTE

*In the case of long term parking, especially during winter, it is recommended to cover the cockpit canopy or possibly the whole aircraft by means of a suitable tarpaulin attached to the airframe.*

### 8.5 Servicing operating fluids

See appropriate chapters in the ROTAX engine Maintenance and Operator's manuals and PiperSport aircraft Maintenance manual for more instructions.

**8.5.1 Approved fuel grades and specifications**

**Recommended fuel type:**

*(refer to the ROTAX Operator's manual section 10.2.2 Fuel, Rotax Service Instruction SI-912-016)*

**MOGAS**

European standard - min. RON 95, EN 228 Super, EN 228 Super plus

US standard - ASTM D4814

Canadian standard - min. AKI 91, CAN/CGSB-3.5 Quality 3

**AVGAS**

US standard - AVGAS 100 LL (ASTM D910)

AVGAS 100 LL places greater stress on the valve seats due to its high lead content and forms increased deposits in the combustion chamber and lead sediments in the oil system. Thus it should only be used in case of problems with vapor lock or when other types of gasoline are unavailable.

**Fuel volume:**

Wing fuel tanks volume ..... 2x15.06 [US gal] (2x57 [liter])  
Unusable fuel quantity ..... 2x0.13 [US gal] (2x0.5 [liter])

**8.5.2 Approved oil grades and specifications**

**Recommended oil type:**

*(refer to the Rotax Operator's manual section 10.2.3 Lubricants, Rotax Service Instruction SI-912-016)*

Motorcycle 4-stroke engine oil of registered brand with gear additives.

Use only oil with API "SG" classification or higher!

Use multi-grade oil. Use of mineral oil is not recommended.

**Type of oil used by aircrafts manufacturer:**

- see Section 9, Supplement No. 02

**Oil volume:**

Minimum ..... 0.87 [US gal] (3.3 [liter])  
Maximum ..... 1.0 [US gal] (3.8 [liter])



### 8.5.3 Approved coolant grades and specifications

#### Recommended coolant type:

*(refer to the Rotax Operator's manual section 10.1.2 Operating speeds and limits and section 10.2.1 Coolant, Rotax Installation manual section 12 Cooling system, Rotax Service Instruction SI-912-016)*

In principle, 2 different types of coolant are permitted:

- Conventional coolant based on ethylene glycol
- Waterless coolant based on propylene glycol

#### WARNING

*The coolant concentrate (propylene glycol) may not be mixed with conventional (glycol/water) coolant or with additives!*

*Non observance can lead to damages to the cooling system and engine.*

#### Type of coolant used by aircrafts manufacturer:

- see Section 9, Supplement No. 02

#### Coolant liquid volume:

It is approximately .....0.66 [US gal] (2.5 [liter])

### 8.6 Cleaning and care

Use efficient cleaning detergents to clean the aircraft surface. Oil spots on the aircraft surface *(except the canopy!)* may be cleaned with petrol.

The canopy may only be cleaned by washing it with a sufficient quantity of lukewarm water and an adequate quantity of detergents. Use either a soft, clean cloth sponge or deerskin. Then use suitable polishers to clean the canopy.

#### CAUTION

*Never clean the canopy under "dry" conditions and never use petrol or chemical solvents!*

Upholstery and covers may be removed from the cockpit, brushed and eventually washed in lukewarm water with an adequate quantity of detergents. Dry the upholstery thoroughly before insertion into the cockpit.

**CAUTION**

*In the case of long term parking, cover the canopy to protect the cockpit interior from direct sunshine.*

## **8.7 Assembly and disassembly**

Refer to the PiperSport aircraft Maintenance manual and the PiperSport aircraft Assembly photo manual.

## **8.8 Aircraft inspection periods**

Periods of overall checks and contingent maintenance depends on the condition of the operation and on overall condition of the airplane.

Inspections and revisions should be carried out in the following periods, at least:

- after the first 25 flight hours
- after every 50 flight hours
- after every 100 flight hours or at least annual inspection

Refer to the *PiperSport aircraft Maintenance manual* for aircraft maintenance.

Refer to the *Rotax engine Maintenance manual* for engine maintenance.

Maintain the propeller according to its manual.

All repairs and maintenance should be made in accordance with AC 43.13-1B.

## **8.9 Aircraft alterations or repairs**

It is recommended to contact the airplane manufacturer prior to any alternations to the aircraft to ensure that the airworthiness of the aircraft is not violated. Always use only the original spare parts produced by the airplane (engine, propeller) manufacturer.

If the aircraft weight is affected by any alternation, a new weighing is necessary, then record the new empty weight into the Weight and Balance record / Permitted payload range and up-date the placard showing weights in the cockpit.

# **SECTION 9**

## **TABLE OF CONTENTS**

### **9. SUPPLEMENTS**

<b>9.1 List of inserted supplements</b>	<b>9-2</b>
<b>9.2 Inserted supplements</b>	<b>9-2</b>

## 9. SUPPLEMENTS

This section contains the appropriate supplements necessary to safely and efficiently operate the aircraft when equipped with various optional systems and equipment not provided with the standard airplane.

### 9.1 *List of inserted supplements*

Date	Suppl. No.	Title of inserted supplement	Revision No.
10/03/31	01	Aircraft Flight Training Supplement	-
10/09/03	02	Aircraft specification S/N: P1001054	-
10/09/20	03	Canopy unlacted	-

### 9.2 *Inserted Supplements*

## **Supplement No. 01**

# **Aircraft Flight Training Supplement**

### **Introduction**

The PiperSport flying characteristics and behavior are similar to other single engine aircraft.

Following training procedure is applicable if the pilot is holder of PPL or LSA Pilot License.

The training flight hours are recommended minimum and depends on the Flight Instructor if student pilot is ready to continue on in next training step.

Training can be performed by Flight Instructor or by the experienced pilot who has minimum 20 hours on the PiperSport.

### **Type Rating Training Procedure:**

#### **Ground Training**

*Before practical Flight Training the pilot has to get familiar with following procedures and documentation:*

- *Pilot's Operating Handbook (POH)*
- *Aircraft Maintenance manual*
- *Aircraft preflight inspection procedure*
- *Control Checklists*
- *Radio, avionics, aircraft and engine controls procedures*
- *Differences in control and aircraft handling*
- *Emergency procedures*

**Flight training program (recommended):**

<b>Flight Training Procedure</b>		<b>Dual</b>		<b>Solo</b>	
		<b>Flights</b>	<b>Time</b>	<b>Flights</b>	<b>Time</b>
<b>1.</b>	<b>Check flight</b>	1	30'	-	-
<b>2.</b>	<b>Pattern training flights up to 1,000 ft AGL</b>	4	20'	3	15'
<b>3.</b>	<b>Pattern training flights up to 500 ft AGL</b>	4	20'	3	15'
<b>4.</b>	<b>Stall speed, 45°turns, side slips</b>	1	30'	1	45'
<b>5.</b>	<b>Emergency landing training</b>	4	20'	3	15'
<b>Total:</b>		<b>14</b>	<b>2 hr</b>	<b>10</b>	<b>1,5 hr</b>

**Flight Training Procedure - description:**

**1. Check flight**

*Student Pilot will fly the airplane in local flight, instructor giving advice as necessary.*

**2. Pattern training flights up to 1,000 feet AGL**

*High pattern procedures, instructor giving advice as necessary.*

**3. Pattern training flights up to 500 feet AGL**

*High pattern procedures, instructor giving advice as necessary.*

**4. Stall speed, 45°turns, sideslips**

*Stall speed flaps retracted and extended (landing configuration), sideslips at landing configuration.*

**5. Emergency landing training**

*Emergency procedures and landing to 1/3 of runway.*

**Note:**

*During solo flights instructor is observing the student pilot on pattern and can advise by radio as necessary.*

**Endorsement:**

*Instructor will endorse the Type Rating to the Pilots Logbook, if required.*

## **Supplement No. 02**

# **AIRCRAFT SPECIFICATION**

In this Supplement No. 02 – the Weight & Balance & Equipment is shown for real S/N of the aircraft.

Aircraft Registration number :

Aircraft Serial Number :

**P1001054**

This Supplement must be contained in the Pilot's Operating Handbook during operation of the airplane.

Information contained in this Supplement adds to or replaces information from the basic Pilot's Operating Handbook in the parts mentioned only. Limitations, procedures and information not mentioned in this Supplement are contained in the basic Pilot's Operating Handbook.

This Supplement adds information necessary for airplane operation with equipment installed in the airplane.

## 6. WEIGHT AND BALANCE

### 6.5 C.G. range and determination

#### Aircraft C.G. determination

**WEIGHT & BALANCE RECORD**  
**Empty Weight C.G. Check**  
of PiperSport aircraft S/N : P1001054

AIRCRAFT EMPTY C.G.	ITEM	WEIGHT [lb]	ARM [in]	MOMENT (WEIGHT x ARM)
	RIGHT MAIN WHEEL	$W_R = 329.34$	$L_R = 31.18$	10,269.18
	LEFT MAIN WHEEL	$W_L = 326.04$	$L_L = 30.67$	10,999.42
	NOSE WHEEL	$W_N = 204.82$	$L_N = -28.23$ negative arm	- 5,781.73
	COMPUTED C.G. EMPTY	Empty weight: $W_E = 860.20$ [lb]	C.G. = <b>16.84</b> [in] <b>28.5</b> [%] MAC	Aircraft moment: $M_E = 14,486.87$

NOTE: EMPTY WEIGHT INCLUDING OIL, COOLANT AND HYDRAULIC FLUID.

Empty weight C.G. range : 16.54 to 18.90 [in] / 28 to 32 [%] of MAC

Max. takeoff weight : 1,320 [lb]

#### Maximum useful weight:

$$W_{\text{Max Useful}} = W_{\text{Max TakeOff}} - W_E$$

$$W_{\text{Max Useful}} = 1,320 \text{ [lb]} - 860.2 \text{ [lb]} = \underline{\underline{459.8 \text{ [lb]}}}$$

**This useful weight must be never exceeded!**

NOTE: MAXIMUM USEFUL WEIGHT INCLUDING PILOT, PASSENGER, BAGGAGE AND FUEL

$$\text{Aircraft C.G.} = \frac{M_E}{W_E} \text{ [in]} \times \frac{100}{\text{MAC}} \text{ [%]}$$

2010-09-03





**WEIGHT & BALANCE RECORD**  
**Forward C.G. Check**  
**of PiperSport aircraft S/N : P1001054**

<b>FORWARD C.G.</b>	<b>WEIGHT</b> [lb]	<b>ARM</b> [in]	<b>MOMENT</b> (WEIGHTxARM)
<b>EMPTY AIRCRAFT</b>	860.20	-----	14 486.87
<b>PILOT</b>	94.60	27.56	2 607.18
<b>PASSENGER</b>	0.00	27.56	0.00
<b>BAGGAGE COMPARTMENT - A</b>	0.00	51.58	0.00
<b>BAGGAGE COMPARTMENT - B</b>	0.00	70.87	0.00
<b>WING LOCKERS</b>	0.00	23.62	0.00
<b>FUEL TANKS</b>	180.62	7.09	1 280.60
<b>TOTAL</b>	<b>W<sub>T</sub>=1.135.42</b> [lb]		<b>M<sub>T</sub>= 18.374.64</b>
<b>TAKEOFF WEIGHT</b>	<b>1.135.42</b> [lb]		<b>C.G.=16.18</b> [in] <b>27.4</b> [%] MAC

NOTE: MAXIMUM FUEL QUANTITY IN WING TANKS (180.62LB =30.1US GAL) IS USED FOR MOST FORWARD C.G. CALCULATION

**Max. takeoff weight : 1,320 [lb]**

**Max. weight in baggage compartment A+B : 40 [lb]**

**Max. weight in wing lockers together : 88 [lb]**

**Operating C.G. range : 15.94 to 22.44 [in] / 27 to 38 [%] of MAC**

$$\text{Aircraft C.G.} = \frac{M_T}{W_T} \text{ [in]} \times \frac{100}{\text{MAC}} \text{ [%]}$$

Serial No.: P1001054  
Date: 2010-09-03  
By: Pavel Lukes

2010-09-03

**WEIGHT & BALANCE RECORD**  
Rearward C.G. Check  
of PiperSport aircraft S/N : P1001054

REARWARD C.G.	WEIGHT [lb]	ARM [in]	MOMENT (WEIGHT x ARM)
EMPTY AIRCRAFT	860.20	-----	14 486.87
PILOT	190.08	27.56	5 238.60
PASSENGER	190.08	27.56	5 238.60
BAGGAGE COMPARTMENT - A	33.00	51.58	1 702.14
BAGGAGE COMPARTMENT - B	6.60	70.87	467.74
WING LOCKERS	17.82	23.62	420.91
FUEL TANKS	0.00	7.09	0.00
<b>TOTAL</b>	<b>W<sub>T</sub>=1.297.78</b> [lb]		<b>M<sub>T</sub>= 27554.87</b>
<b>TAKEOFF WEIGHT</b>	<b>1.297.78</b> [lb]		<b>C.G.=21.23</b> [in] <b>36.0</b> [%] MAC

NOTE: MINIMUM FUEL QUANTITY IN WING TANKS FOR 30MINUTE FLIGHT (22.2LB=3.7US GAL) IS SUBTRACTED FROM MTOW (1,320LB). MOST REARWARD C.G. CALCULATION IS DONE WITH ZERO FUEL QUANTITY (AFTER FUEL DEPLETION).

Max. takeoff weight : 1,320 [lb]

Max. weight in baggage compartment A+B : 40 [lb]

Max. weight in wing lockers together : 88 [lb]

Operating C.G. range : 15.94 to 22.44 [in] / 27 to 38 [%] of MAC

$$\text{Aircraft C.G.} = \frac{M_T}{W_T} \text{ [in]} \times \frac{100}{\text{MAC}} \text{ [%]}$$

<b>Serial No.:</b>	P1001054
<b>Date:</b>	2010-09-03
<b>By:</b>	Pavel Lukeš

**6.6 Permitted payload range table**

<b>PiperSport</b>			Serial number : P1001054				
<b>F U E L</b>	gauges together		for 30 min flight	1 / 4	1 / 2	3 / 4	1
	volume	US gal	3.7	7.5	15.1	22.6	30.1
		liter	14	28.5	57	85.5	114
	weight	lb	22.2	45.1	90.3	135.4	180.6
kg		10.1	20.5	41	61.6	82.1	
			<b>Permitted crew weight</b>				
<b>B A G G A G E</b>	No baggage	lb	<b>438</b>	<b>415</b>	<b>370</b>	<b>324</b>	<b>279</b>
		kg	199	189	168	147	127
	½ rear (A) 20 [lb] (9 [kg])	lb	<b>418</b>	<b>395</b>	<b>350</b>	<b>304</b>	<b>259</b>
		kg	190	179	159	138	118
	rear (A) 40 [lb] (18 [kg])	lb	<b>398</b>	<b>375</b>	<b>330</b>	<b>284</b>	<b>239</b>
		kg	181	170	150	129	109
	½ wing lockers 44 [lb] (20 [kg])	lb	<b>394</b>	<b>371</b>	<b>326</b>	<b>280</b>	<b>235</b>
		kg	179	169	148	127	107
	½ rear (A) + ½ wing lockers 64 [lb] (29 [kg])	lb	<b>374</b>	<b>351</b>	<b>306</b>	<b>260</b>	<b>215</b>
		kg	170	159	139	118	98
	rear (A) + ½ wing lockers 84 [lb] (38 [kg])	lb	<b>354</b>	<b>331</b>	<b>286</b>	<b>240</b>	<b>195</b>
		kg	161	150	130	109	89
wing lockers 88 [lb] (40 [kg])	lb	<b>350</b>	<b>327</b>	<b>282</b>	<b>236</b>	<b>191</b>	
	kg	159	149	128	107	87	
½ rear (A) + wing lockers 108 [lb] (49 [kg])	lb	<b>330</b>	<b>307</b>	<b>262</b>	<b>216</b>	<b>171</b>	
	kg	150	139	119	98	78	
rear (A) + wing lockers 128 [lb] (58 [kg])	lb	<b>310</b>	<b>287</b>	<b>242</b>	<b>196</b>	<b>151</b>	
	kg	141	130	110	89	69	
<b>Crew weight = Max. Takeoff weight - Empty weight - Baggage weight - Fuel weight</b>							

**Crew weight values must be determine with regard on rearward C.G. limit.  
Max. takeoff weight : 1,320 [lb] (600 [kg])**

2010-09-03

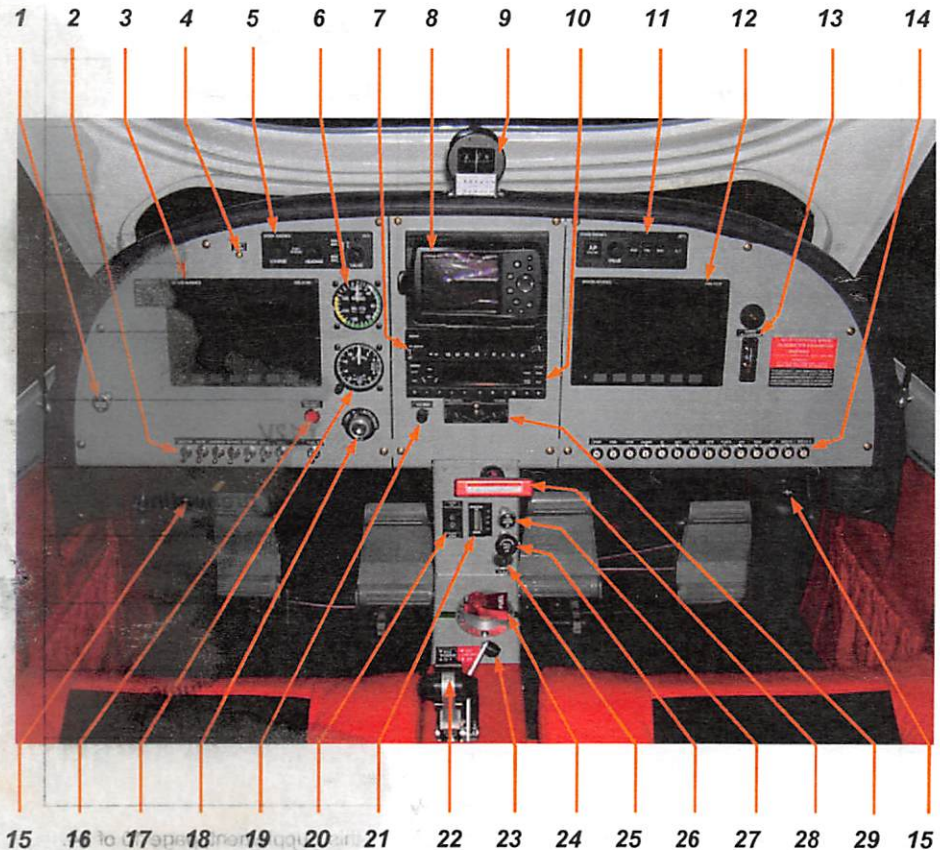
### 6.7 **Installed equipment list** of PiperSport aircraft S/N : P1001054

- Rotax 912 ULS
- Woodcomp KLASSIC 170/3/R
- Dynon D100 EFIS
- Dynon D120 EMS
- Backup Airspeed indicator
- Backup Altimeter
- Magnetic compass
- Garmin SL30 transceiver
- PS Engineering PM3000 intercom
- Garmin GTX328 transponder
- King AK451 ELT
- AirGizmos, Garmin 495 GPS
- Dynon HS34 HSI expansion module
- Dynon AP74 autopilot control unit
- Electric autopilot servos
- Antennas
- G -205 trim control and PTT on the control sticks
- Trims and flaps electrically actuated
- Kuntzleman wing tips strobe/nav. lights
- Landing light in cowl
- Adjustable pedals
- Dual hydraulic brakes
- Parking brake
- Wheel fairings tricycle
- Cabin heating
- Carburetor preheating
- Leather upholstery
- Paint
- BRS LSA softpack parachute

## 7. DESCRIPTION OF AIRPLANE AND SYSTEMS

### 7.4 Instrument panel

Instrument panel layout of PiperSport aircraft S/N: P1001054



## Description of instrumentation and controls in the cockpit

1	<i>Parking brake</i>	16	<i>PTT / elevator trim / aileron trim buttons</i>
2	<i>Switches / Circuit breakers*</i>	17	<i>Ignition switch</i>
3	<i>Transponder</i>	18	<i>Autopilot disconnection button</i>
4	<i>Dynon EFIS</i>	19	<i>BRS release handle</i>
5	<i>EMS warning light</i>	20	<i>Flaps control switch</i>
6	<i>Dynon HS34 HSI expansion module</i>	21	<i>Flaps position indicator</i>
7	<i>Backup Airspeed indicator</i>	22	<i>Throttle</i>
8	<i>Backup Altimeter</i>	23	<i>Choke</i>
9	<i>Compass</i>	24	<i>Fuel selector valve</i>
10	<i>Garmin GPS</i>	25	<i>Socket 12V</i>
11	<i>PS Intercom</i>	26	<i>Carburetor preheating</i>
12	<i>Dynon AP74 autopilot control unit</i>	27	<i>Cabin heating</i>
13	<i>Dynon EMS</i>	28	<i>Transceiver</i>
14	<i>ELT control unit and buzzer</i>	29	<i>Dynon Alerts volume control</i>
15	<i>Circuit breakers</i>		

\* Switches and circuit breakers detailed description is in this Supplement, page 10 of 14.

## **Instruments and Avionics**

- Dynon D100 EFIS
- Dynon D120 EMS
- Backup Airspeed indicator
- Backup Altimeter
- Magnetic compass
- Garmin SL30 transceiver
- PS Engineering PM3000 intercom
- Garmin GTX328 transponder
- King AK451 ELT
- AirGizmos, Garmin 495 GPS
- Dynon HS34 HSI expansion module
- Dynon AP74 autopilot control unit
- Electric autopilot servos
- Antennas

### **NOTE**

*For instrument and avionics operating instructions refer to the documentation supplied with the instruments and avionics.*

## **Miscellaneous equipment**

- G -205 trim control and PTT on the control sticks
- Trims and flaps electrically actuated
- Kuntzleman wing tip strobe/nav. lights
- Landing light in cowl
- Adjustable pedals
- Dual hydraulic brakes
- Parking brake
- Wheel fairings tricycle
- Cabin heating
- Carburetor preheating
- Leather upholstery
- Paint
- BRS LSA softpack parachute

**Description of switches and circuit breakers**

MASTER		circuit breaker
INSTR.	<i>engine instruments</i>	switch
AVIONICS		switch
AUTOPILOT	<i>autopilot</i>	switch
STROBE		circuit breaker
NAV. L.	<i>navigation lights</i>	circuit breaker
LDG. L.	<i>landing light</i>	circuit breaker
FUEL P.	<i>fuel pump</i>	circuit breaker

**8. HANDLING AND SERVICING**

**8.5 Servicing operating fluids**

**8.5.2 Approved oil grades and specifications**

**Type of oil used by aircrafts manufacturer:**

AeroShell Oil Sport Plus 4

SAE: 10W-40      API: SL

**8.5.3 Approved coolant grades and specifications**

**Type of coolant used by aircrafts manufacturer:**

Specification: ASTM D 3306, VW TL 774C

Mixture ratio coolant / water: 50/50 [%]

Max. coolant temperature: 248 [°F] (120 [°C])

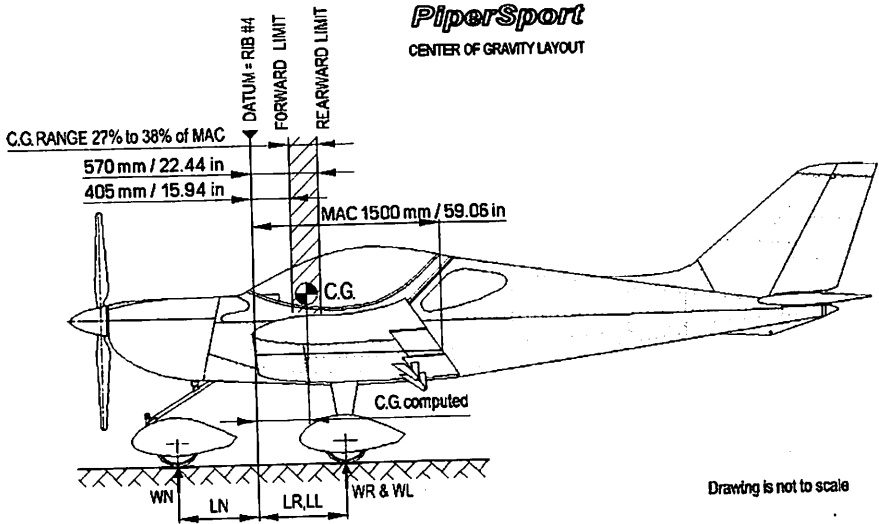


*Intentionally left blank*

MOMENT (WEIGHT ARM)	
Altered moment	negative sign
M <sub>a</sub> =	MAC

FORWARD  
CALCULATION IS DONE WITH IT TO  
THE AIRCRAFT'S CENTER OF GRAVITY

**Blank form of Weight & Balance record**



Drawing is not to scale

AIRCRAFT EMPTY C.G.	ITEM	WEIGHT [lb/kg]	ARM [in/mm]	MOMENT (WEIGHT x ARM)
	RIGHT MAIN WHEEL	$W_R =$	$L_R =$	
	LEFT MAIN WHEEL	$W_L =$	$L_L =$	
	NOSE WHEEL	$W_N =$	$L_N =$ negative arm	-
COMPUTED C.G. EMPTY	Empty weight: $W_E =$ [lb/kg]	C.G. = [in/mm] [%]MAC	Aircraft moment: $M_E =$	

**NOTE:**

EMPTY WEIGHT INCLUDING OIL, COOLANT AND HYDRAULIC FLUID.

MAXIMUM FUEL QUANTITY IN WING TANKS (180.62LB = 30.1US GAL / 82.1KG = 114L) IS USED FOR MOST FORWARD C.G. CALCULATION.

MINIMUM FUEL QUANTITY IN WING TANKS FOR 30 MINUTE FLIGHT (22.2LB = 3.7US GAL / 10.1KG = 14L) IS SUBTRACTED FROM MTOW (1,320LB / 600KG). MOST REARWARD C.G. CALCULATION IS DONE WITH ZERO FUEL QUANTITY (AFTER FUEL DEPLETION).

AIRCRAFT C.G.	WEIGHT [lb/kg]	ARM [in/mm]	MOMENT (WEIGHTxARM)
EMPTY AIRCRAFT		-----	
PILOT		27.56 / 700	
PASSENGER		27.56 / 700	
BAGGAGE COMPARTMENT - A		51.58 / 1,310	
BAGGAGE COMPARTMENT - B		70.87 / 1,800	
WING LOCKERS		23.62 / 600	
FUEL TANKS		7.09 / 180	
TOTAL	$W_T =$ [lb/kg]		$M_T =$
TAKEOFF WEIGHT	[lb/kg]		C.G. = [in/mm] [%] MAC

**Max. takeoff weight :** 1,320 [lb] (600 [kg])

**Max. weight in baggage compartment A+B :** 40 [lb] (18 [kg])

**Max. weight in wing lockers together :** 88 [lb] (40 [kg])

**Empty weight C.G. range :** 16.54 to 18.90 [in] (420 to 480 [mm]) / 28 to 32 [%] of MAC

**Operating C.G. range :** 15.94 to 22.44 [in] (405 to 570 [mm]) / 27 to 38 [%] of MAC

**Maximum useful weight:**

$$W_{Max\ Useful} = W_{Max\ Takeoff} - W_E$$

$$W_{Max\ Useful} = 1,320 [lb] (600 [kg]) - \quad = \underline{\quad} [lb]/[kg]$$

**This useful weight must be never exceeded!**

NOTE: MAXIMUM USEFUL WEIGHT INCLUDING PILOT, PASSENGER, BAGGAGE AND FUEL.

$$\text{Aircraft C.G.} = \frac{M_E(M_T)}{W_E(W_T)} [in/mm] \times \frac{100}{MAC} [\%]$$

<b>Registration:</b>
<b>Serial No.:</b>
<b>Date:</b>
<b>By:</b>

**Blank form of Permitted payload range**

Pipersport		Serial number: _____					
		for 30 min flight					
F	gauges together	US gal	3.7	7.5	15.1	22.6	30.1
		liter	14	28.5	57	85.5	114
E	volume	lb	22.2	45.1	90.3	135.4	180.6
		kg	10.1	20.5	41	61.6	82.1
L	weight	kg	Permitted crew weight				

B	rear (A)	kg							
		lb	40 [lb] (18 [kg])						
A	1/2 rear (A)	kg							
		lb	20 [lb] (9 [kg])						
G	1/2 rear (A) + 1/2 wing lockers	kg							
		lb	44 [lb] (20 [kg])						
G	rear (A) + 1/2 wing lockers	kg							
		lb	84 [lb] (38 [kg])						
E	wing lockers	kg							
		lb	88 [lb] (40 [kg])						
A	1/2 rear (A) + wing lockers	kg							
		lb	108 [lb] (49 [kg])						
E	rear (A) + wing lockers	kg							
		lb	128 [lb] (58 [kg])						

Crew weight = Max. Takeoff weight - Empty weight - Baggage weight - Fuel weight

Crew weight values must be determine with regard on rearward C.G. limit  
Max. takeoff weight : 1,320 [lb] (600 [kg])

**SUPPLEMENT No. 03**

**CANOPY UNLATCHED**

This Supplement must be attached to the Pilot's Operating Handbook during airplane operation.

Information in this Supplement completes or replaces information in the basic Pilot's Operating Handbook for the below mentioned parts only. Limitations, procedures and information not mentioned in this Supplement and included in the basic Pilot's Operating Handbook stay valid.

This Supplement completes information necessary for the airplane operation with equipment installed on the airplane.

## 3. EMERGENCY PROCEDURES

### 3.20 *Inadvertent canopy opening during takeoff*

- During takeoff – aircraft rotation occurs, the canopy opens approximately 2 in (50 mm).
- During climb and descent with the airspeed at 60-75 knots (110-139 km/h, 70-86 mph), the canopy stays opened 2-3.2 in (50-80 mm).
- During horizontal flight with airspeed at 60-80 knots (110-148 km/h, 70-92 mph), the canopy stays opened 2-3.2 in (50-80 mm).
- In all above-mentioned cases – there are no flight problems, no vibrations, good aircraft control, and no change of flight characteristics.
- It is not possible to close the canopy.

#### ***Recommended procedure if the canopy opens during takeoff:***

##### **1. DO NOT TRY TO CLOSE THE CANOPY!**

2. Continue the takeoff
3. Climb to the safe altitude
  - maintain airspeed at 65 knot (120 km/h, 75 mph)
4. Continue to fly the normal traffic pattern (circuit)
  - max. airspeed 75 knot (139 km/h, 86 mph)
5. Land
  - after stopping, close and lock the canopy

***Recommendation:*** - ***Before takeoff, manually check the canopy is locked by pushing on the canopy upwards.***

#### **CAUTION**

***During the flight, approach and landing – do not perform any slipping.***

## 4. NORMAL PROCEDURES

### 4.4 Normal Takeoff

#### 4.4.1 Before takeoff

- |                   |                           |
|-------------------|---------------------------|
| 1. Altimeter      | - set                     |
| 2. Trim           | - set neutral position    |
| 3. Control system | - check the free movement |
| 4. Cockpit canopy | - closed and locked       |

**Recommendation:** - *Before takeoff, manually check the canopy is locked by pushing on the canopy upwards.*

- |                     |  |
|---------------------|--|
| 5. Safety harnesses | - fastened                                     |
| 6. Fuel selector    | - turned ON ( <i>left or right fuel tank</i> ) |
| 7. Ignition switch  | - switched-ON ( <i>both magnetos</i> )         |
| 8. Wing flaps       | - extend as necessary                          |